

QHC8-1000-3000-2

1~3GHz, 2W

Features:

- * Broadband
- * High Power
- * Low Insertion Loss

Applications:

- * Amplifiers
- * Transmitter
- * Laboratory Test
- * Radar

Electrical

Frequency:	1~3GHz
Insertion Loss:	1dB max.
VSWR:	1.4 max.
Isolation:	18dB min.
Amplitude Balance:	0.7dB
Phase Balance:	±10°
Average Power:	2W
Impedance:	50Ω

Mechanical

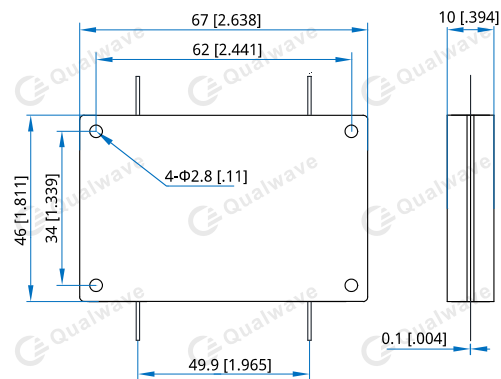
Size ^{*1} :	67*46*10mm 2.638*1.811*0.394in
RF Connectors:	SMD
Mounting:	4-Φ2.8mm through-hole

[1] Exclude connectors.

Environmental

Temperature:	-40~+85°C
--------------	-----------

Outline Drawings



Unit: mm [in]

Tolerance: ±0.3mm [±0.012in]

How To Order

QHC8-1000-3000-2

Customization is available upon request.