

QPD2-0-18000-R5-S

2-Way, DC~18GHz, 0.5W

Features:
 * Small Size
 * Low Insertion Loss

Applications:
 * Amplifiers
 * Mixers
 * Antennas
 * Laboratory Test



Electrical

Frequency:	DC~18GHz
Insertion Loss:	1.5dB max.
VSWR:	1.6 max.
Isolation:	4.5dB min.
Amplitude Balance:	±0.5dB max.
Phase Balance:	±11°
Impedance:	50Ω
Average Power:	0.5W as divider

Mechanical

Size ^{*1} :	28*12*24.2mm 1.102*0.472*0.953in
Connectors ^{*2} :	SMA Female

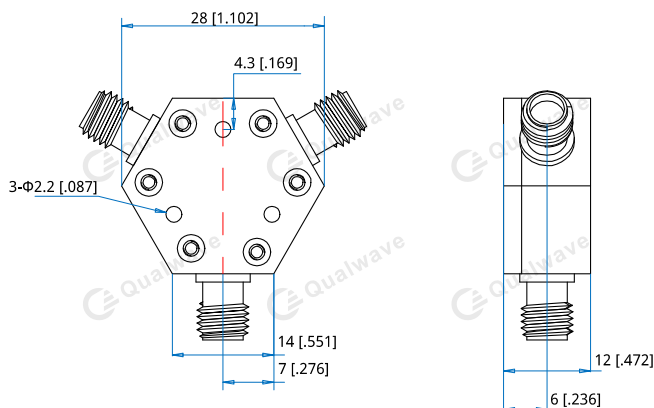
[1] Exclude connectors.

[2] Female connectors can be replaced with male connectors on request.

Environmental

Operating Temperature:	-30~+70°C
Non-operating Temperature:	-40~+85°C

Outline Drawings



Unit: mm [in]

Tolerance: ±0.5mm [±0.02in]

How To Order

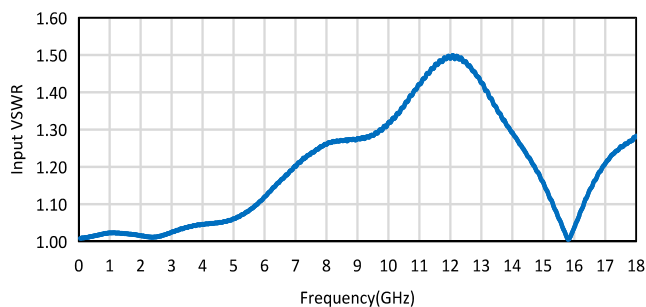
QPD2-0-18000-R5-S

Customization is available upon request.

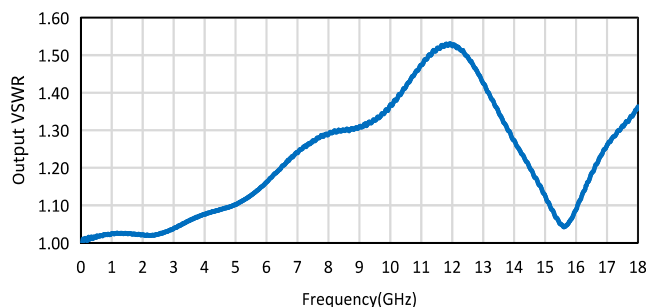
Typical Performance Curves

SMA

Input VSWR vs. Frequency

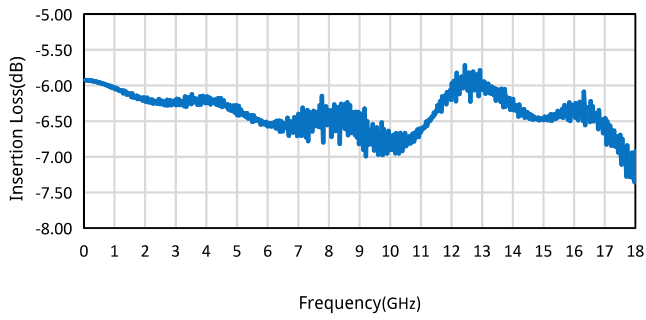


Output VSWR vs. Frequency

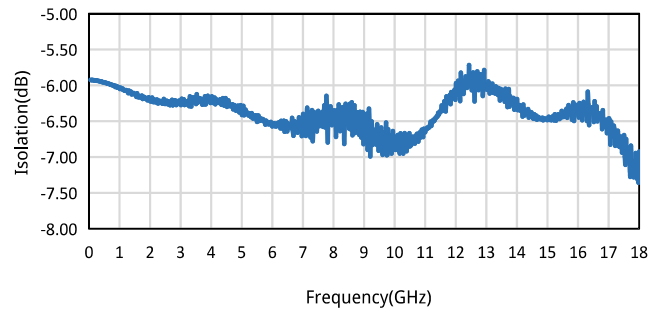


2-Way Resistive Power Divider

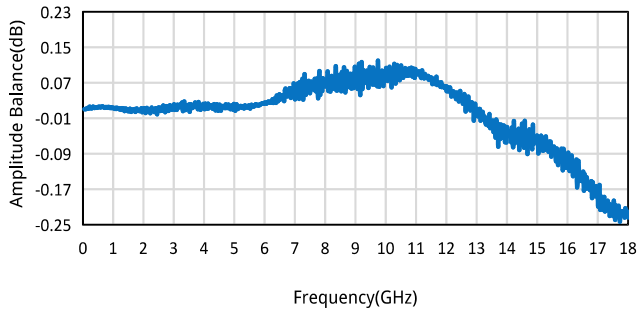
Insertion Loss vs. Frequency



Isolation vs. Frequency



Amplitude Balance vs. Frequency



Phase Balance vs. Frequency

