

QPD2-0-67000-1-V

DC~67GHz, 1W

Features:
 * Small Size
 * Low Insertion Loss

Applications:
 * Amplifiers
 * Mixers
 * Antennas
 * Laboratory Test



Electrical

Frequency:	DC~67GHz
Insertion Loss ^{*1} :	2.5dB typ.
VSWR:	1.8 max.
Isolation:	6dB typ.
Amplitude Balance:	±1dB
Phase Balance:	±5°
Impedance:	50Ω
Average Power:	1W

[1] Excluding theoretical loss 6.0dB.

Mechanical

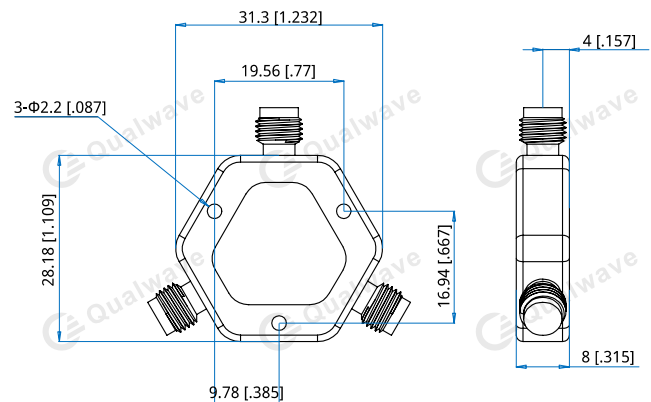
Size ^{*2} :	28.18*31.3*8mm 1.109*1.232*0.315in
Connectors:	1.85mm Female
Mounting:	3-Φ2.2mm through-hole

[2] Exclude connectors.

Environmental

Operation Temperature:	-35~+75°C
------------------------	-----------

Outline Drawings



Unit: mm [in]

Tolerance: ±0.5mm [±0.02in]

How To Order

QPD2-0-67000-1-V

Customization is available upon request.