

QPD2-10700-12750-20-S

2-Way, 10.7~12.75GHz

Features:
 * Small Size
 * Low Insertion Loss

Applications:
 * Amplifiers
 * Mixers
 * Antennas
 * Laboratory Test

Electrical

Frequency:	10.7~12.75GHz
Insertion Loss:	0.6dB max.
Input VSWR:	1.3 max.
Output VSWR:	1.2 max.
Isolation:	18dB min.
Amplitude Balance:	0.3dB max.
Phase Balance:	±3°
Impedance:	50Ω
Power @SUM Port:	20W max.as divider 1W max. as combiner

Mechanical

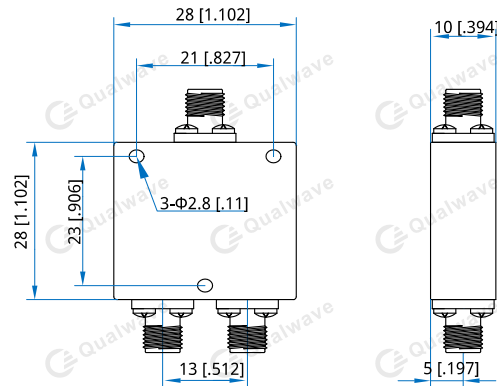
Size ^{*1} :	28*28*10mm 1.102*1.102*0.394in
Connectors:	SMA Female
Mounting:	3-Φ2.8mm through-hole

[1] Exclude connectors.

Environmental

Operation Temperature:	-45~+85°C
------------------------	-----------

Outline Drawings



Unit: mm [in]
 Tolerance: ±0.5mm [±0.02in]

How To Order

QPD2-10700-12750-20-S

Customization is available upon request.