

QPD2-13500-15000-20-N

2-Way, 13.5~15GHz

Features:
 * Small Size
 * Low Insertion Loss

Applications:
 * Amplifiers
 * Mixers
 * Antennas
 * Laboratory Test

Electrical

Frequency:	13.5~15GHz
Insertion Loss:	0.4dB max.
Input VSWR:	1.25 max.
Output VSWR:	1.2 max.
Isolation:	18dB min.
Amplitude Balance:	±0.2dB
Phase Balance:	±3°
Impedance:	50Ω
Power @SUM Port:	20W max.as divider 1W max. as combiner

Mechanical

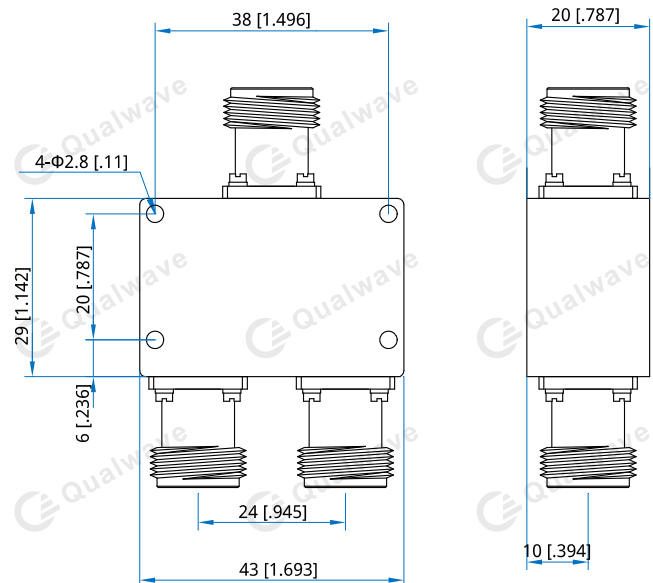
Size ^{*1} :	43*29*20mm 1.693*1.142*0.787in
Weight:	60g
Connectors:	N Female
Mounting:	4-Φ2.8mm through-hole

[1] Exclude connectors.

Environmental

Operation Temperature:	-45~+85°C
------------------------	-----------

Outline Drawings



Unit: mm [in]
 Tolerance: ±0.5mm [±0.02in]

How To Order

QPD2-13500-15000-20-N

Customization is available upon request.