

## QPD2-2000-9000-30-S

### 2-Way, 2~9GHz

Features:  
 \* Small Size  
 \* Low Insertion Loss

Applications:  
 \* Amplifiers  
 \* Mixers  
 \* Antennas  
 \* Laboratory Test



### Electrical

Frequency:	2~9GHz
Insertion Loss <sup>*1</sup> :	0.6dB max.
Input VSWR:	1.25 max.
Output VSWR:	1.2 max.
Isolation:	20dB min.
Amplitude Balance:	±0.2dB
Phase Balance:	±2°
Impedance:	50Ω
Power @SUM Port:	30W max.as divider 2W max. as combiner

[1] Excluding theoretical loss 3dB.

### Mechanical

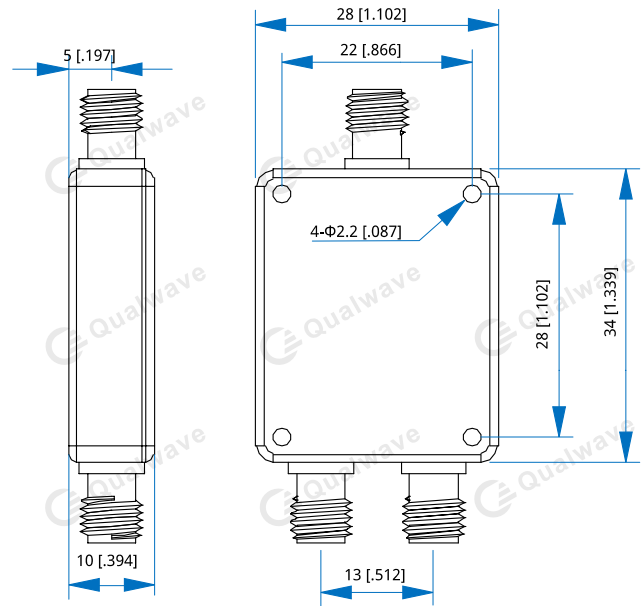
Size <sup>*2</sup> :	34*28*10mm 1.339*1.102*0.394in
Connectors:	SMA Female
Mounting:	4-Φ2.2mm through-hole

[2] Exclude connectors.

### Environmental

Operation Temperature: -35~+75°C

### Outline Drawings



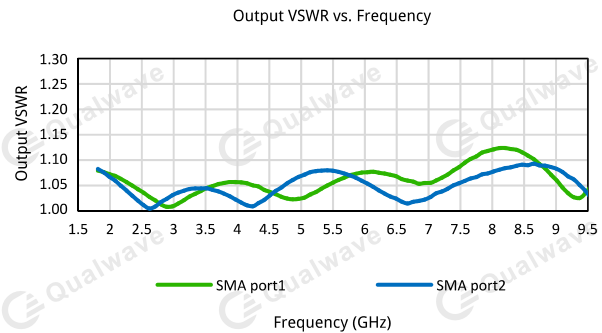
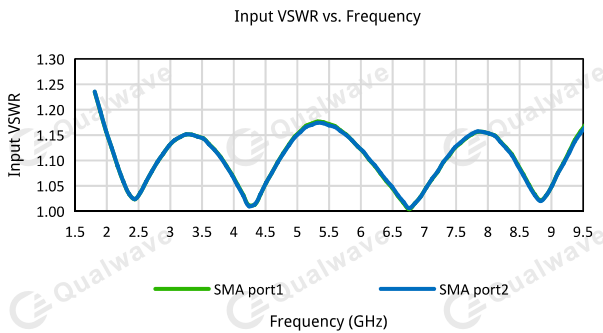
Unit: mm [in]  
 Tolerance: ±0.5mm [±0.02in]

### How To Order

**QPD2-2000-9000-30-S**

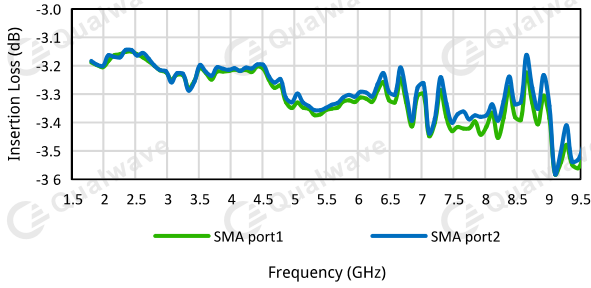
Customization is available upon request.

### Typical Performance Curves

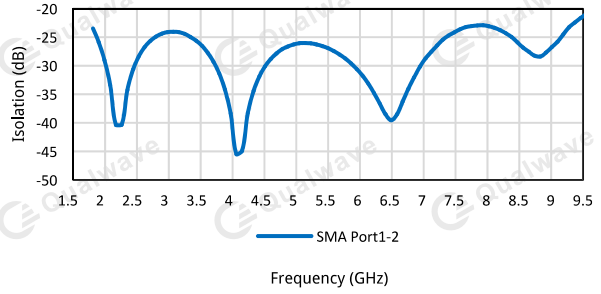


## 2-Way Power Divider/Combiner

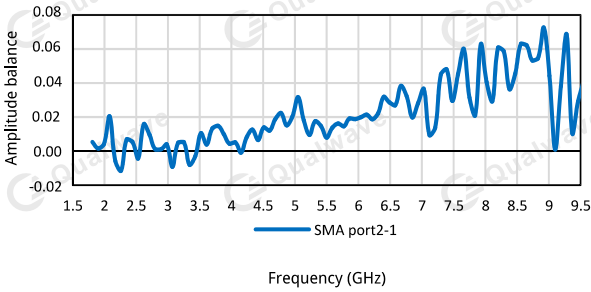
Insertion Loss vs. Frequency



Isolation vs. Frequency



Amplitude balance vs. Frequency



Phase balance vs. Frequency

