

## QPD2-2200-2300-30-N

### 2-Way, 2.2~2.3GHz

Features:  
 \* Small Size  
 \* Low Insertion Loss

Applications:  
 \* Amplifiers  
 \* Mixers  
 \* Antennas  
 \* Laboratory Test

#### Electrical

Frequency:	2.2~2.3GHz
Insertion Loss:	0.4dB max.
Input VSWR:	1.2 max.
Output VSWR:	1.2 max.
Isolation:	20dB min.
Amplitude Balance:	±0.2dB max.
Phase Balance:	±3°
Impedance:	50Ω
Power @SUM Port:	30W max.as divider 1W max. as combiner

#### Mechanical

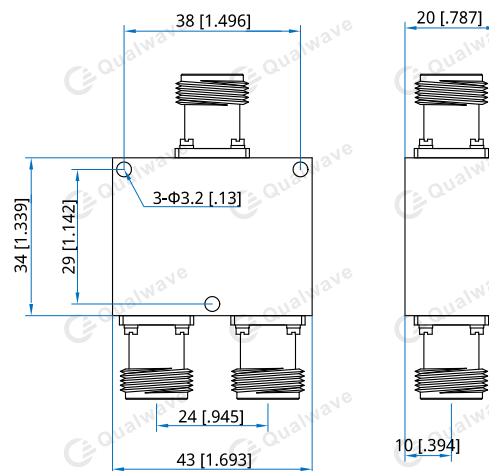
Size <sup>*1</sup> :	34*38*20mm 1.339*1.496*0.787in
Connectors:	N Female
Mounting:	3-Φ3.2mm through-hole

[1] Exclude connectors.

#### Environmental

Operation Temperature:	-35~+75°C
------------------------	-----------

#### Outline Drawings



Unit: mm [in]  
 Tolerance: ±0.5mm [±0.02in]

#### How To Order

**QPD2-2200-2300-30-N**

Customization is available upon request.