

QPD2-2500-4000-K2-N

2-Way, 2.5~4GHz

Features:
 * Small Size
 * Low Insertion Loss

Applications:
 * Amplifiers
 * Mixers
 * Antennas
 * Laboratory Test

Electrical

Frequency:	2.5~4GHz
Insertion Loss:	0.6dB max.
Input VSWR:	1.35 max.
Output VSWR:	1.25 max.
Isolation:	18dB min.
Amplitude Balance:	0.2dB max.
Phase Balance:	±3°
Impedance:	50Ω
Power @SUM Port:	200W max.as divider 20W max. as combiner

Mechanical

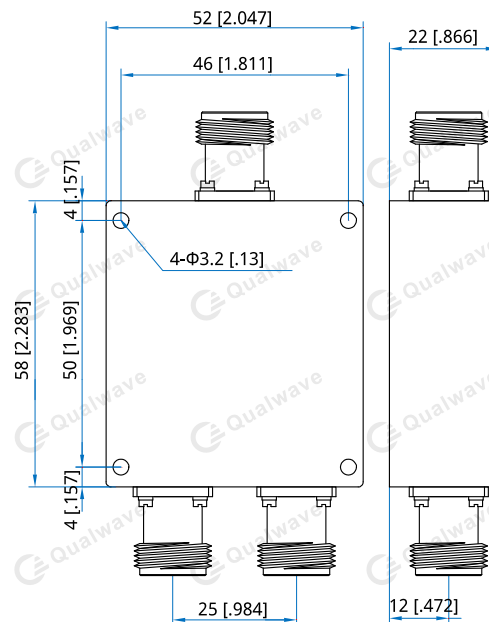
Size ^{*1} :	58*52*22mm 2.283*2.047*0.866in
Weight:	280g
Connectors:	N Female
Mounting:	4-Φ3.2mm through-hole

[1] Exclude connectors.

Environmental

Operation Temperature: -35~+75°C

Outline Drawings



Unit: mm [in]
 Tolerance: ±0.5mm [±0.02in]

How To Order

QPD2-2500-4000-K2-N

Customization is available upon request.