

## QPD2-3000-8000-30-S

### 2-Way, 3~8GHz

Features:  
 \* Small Size  
 \* Low Insertion Loss

Applications:  
 \* Amplifiers  
 \* Mixers  
 \* Antennas  
 \* Laboratory Test

#### Electrical

Frequency:	3~8GHz
Insertion Loss:	0.6dB max.
Input VSWR:	1.2 max.
Output VSWR:	1.2 max.
Isolation:	22dB min.
Amplitude Balance:	0.1dB max.
Phase Balance:	±1°
Impedance:	50Ω
Power @SUM Port:	30W max.as divider 2W max. as combiner

#### Mechanical

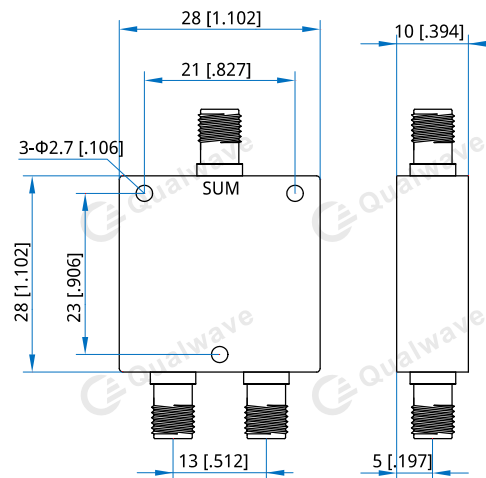
Size <sup>*1</sup> :	28*28*10mm 1.102*1.102*0.394in
Weight:	21g
Connectors:	SMA Female
Mounting:	3-Φ2.7mm through-hole

[1] Exclude connectors.

#### Environmental

Operation Temperature:	-45~+85°C
------------------------	-----------

#### Outline Drawings



Unit: mm [in]  
 Tolerance: ±0.5mm [±0.02in]

#### How To Order

**QPD2-3000-8000-30-S**

Customization is available upon request.