

QPD2-3400-3800-K1-N

2-Way, 3.4~3.8GHz

Features:
 * Small Size
 * Low Insertion Loss

Applications:
 * Amplifiers
 * Mixers
 * Antennas
 * Laboratory Test

Electrical

Frequency:	3.4~3.8GHz
Insertion Loss:	0.3dB max.
Input VSWR:	1.2 max.
Output VSWR:	1.2 max.
Isolation:	20dB min.
Amplitude Balance:	±0.2dB
Phase Balance:	±2°
Impedance:	50Ω
Power @SUM Port:	100W max.as divider 10W max. as combiner

Mechanical

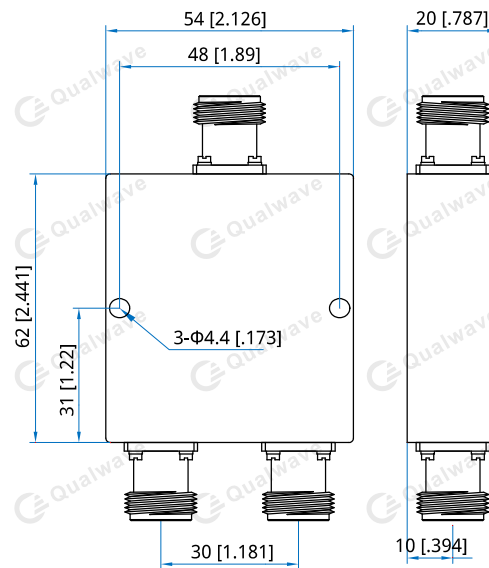
Size ^{*1} :	62*54*20mm 2.441*2.126*0.787in
Weight:	190g
Connectors:	N Female
Mounting:	2-Φ4.4mm through-hole

[1] Exclude connectors.

Environmental

Operation Temperature:	-35~+75°C
------------------------	-----------

Outline Drawings



Unit: mm [in]
 Tolerance: ±0.5mm [±0.02in]

How To Order

QPD2-3400-3800-K1-N

Customization is available upon request.