

QPD2-400-1000-K2-N

2-Way, 0.4~1GHz

Features:
 * Small Size
 * Low Insertion Loss

Applications:
 * Amplifiers
 * Mixers
 * Antennas
 * Laboratory Test

Electrical

Frequency:	0.4~1GHz
Insertion Loss:	0.4dB max.
Input VSWR:	1.25 max.
Output VSWR:	1.2 max.
Isolation:	18dB min.
Amplitude Balance:	0.2dB max.
Phase Balance:	±2°
Impedance:	50Ω
Power @SUM Port:	200W max. as divider 20W max. as combiner

Mechanical

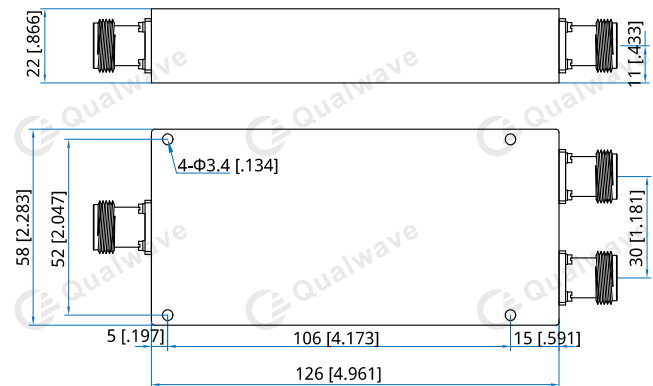
Size ^{*1} :	126*58*22mm 4.961*2.283*0.866in
Weight:	350g
Connectors:	N Female
Mounting:	4-Φ3.4mm through-hole

[1] Exclude connectors.

Environmental

Operation Temperature:	-35~+75°C
------------------------	-----------

Outline Drawings



Unit: mm [in]
 Tolerance: ±0.5mm [±0.02in]

How To Order

QPD2-400-1000-K2-N

Customization is available upon request.