

QPD2-5150-5850-50-N

2-Way, 5.15~5.85GHz

Features:
 * Small Size
 * Low Insertion Loss

Applications:
 * Amplifiers
 * Mixers
 * Antennas
 * Laboratory Test

Electrical

Frequency:	5.15~5.85GHz
Insertion Loss:	0.5dB max.
Input VSWR:	1.25 max.
Output VSWR:	1.2 max.
Isolation:	20dB min.
Amplitude Balance:	0.2dB max.
Phase Balance:	±3°
Impedance:	50Ω
Power @SUM Port:	50W max.as divider 3W max. as combiner

Mechanical

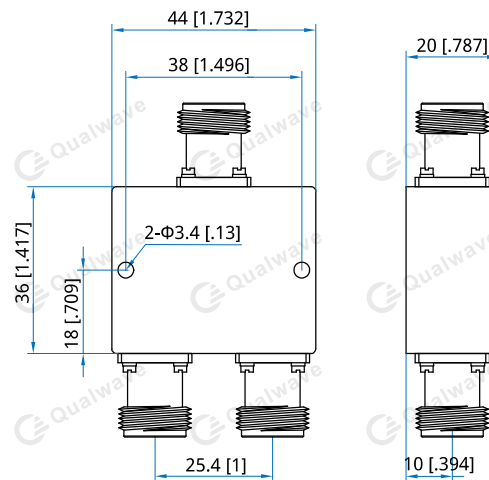
Size ^{*1} :	36*44*20mm 1.417*1.732*0.787in
Weight:	70g
Connectors:	N Female
Mounting:	2-Φ3.4mm through-hole

[1] Exclude connectors.

Environmental

Operation Temperature:	-30~+60°C
------------------------	-----------

Outline Drawings



Unit: mm [in]
 Tolerance: ±0.5mm [±0.02in]

How To Order

QPD2-5150-5850-50-N

Customization is available upon request.