

QPD2-7000-9000-K2-S

2-Way, 7~9GHz

Features:
 * Small Size
 * Low Insertion Loss

Applications:
 * Amplifiers
 * Mixers
 * Antennas
 * Laboratory Test

Electrical

| | |
|--------------------|---|
| Frequency: | 7~9GHz |
| Insertion Loss: | 0.5dB max. |
| Input VSWR: | 1.3 max. |
| Output VSWR: | 1.3 max. |
| Isolation: | 18dB min. |
| Amplitude Balance: | ±0.2dB max. |
| Phase Balance: | ±4° max. |
| Impedance: | 50Ω |
| Power @SUM Port: | 200W max. as divider 200W max. as combiner |

Mechanical

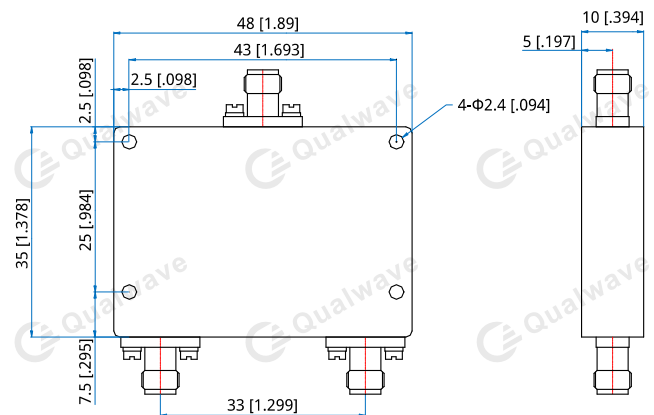
| | |
|----------------------|----------------------------------|
| Size ^{*1} : | 48*35*10mm 1.89*1.378*0.394in |
| Connectors: | SMA Female |
| Mounting: | 4-Φ2.4mm through-hole |

[1] Exclude connectors.

Environmental

| | |
|------------------------|-----------|
| Operation Temperature: | -55~+85°C |
|------------------------|-----------|

Outline Drawings



Unit: mm [in]

Tolerance: ±0.2mm [±0.008in]

How To Order

QPD2-7000-9000-K2-S

Customization is available upon request.