

QPD2-7100-7300-K4-N

2-Way, 7.1~7.3GHz

Features:
 * Small Size
 * Low Insertion Loss

Applications:
 * Amplifiers
 * Mixers
 * Antennas
 * Laboratory Test

Electrical

Frequency:	7.1~7.3GHz
Insertion Loss:	0.4dB max.
Input VSWR:	1.3 max.
Output VSWR:	1.3 max.
Isolation:	18dB min.
Amplitude Balance:	±0.3dB max.
Phase Balance:	±4° max.
Impedance:	50Ω
Power @SUM Port:	400W max. as divider 400W max. as combiner

Mechanical

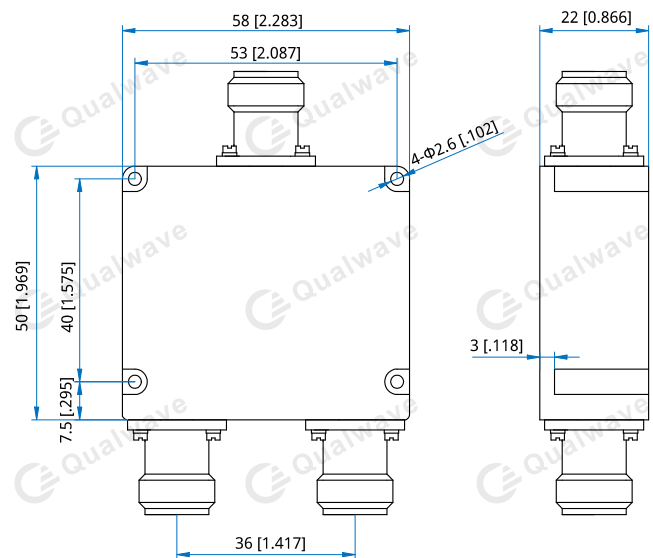
Size ^{*1} :	58*50*22mm 2.283*1.969*0.866in
Connectors:	N Female
Mounting:	4-Φ2.6mm through-hole

[1] Exclude connectors.

Environmental

Operation Temperature:	-55~+85°C
------------------------	-----------

Outline Drawings



Unit: mm [in]
 Tolerance: ±0.3mm [±0.012in]

How To Order

QPD2-7100-7300-K4-N

Customization is available upon request.