

QPD2-80-500-2K-EN

2-Way, 0.08~0.5GHz

Features:

- * Small Size
- * Low Insertion Loss

Applications:

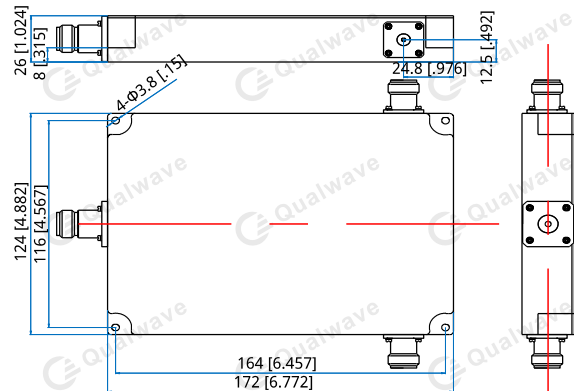
- * Amplifiers
- * Mixers
- * Antennas
- * Laboratory Test

Electrical

Frequency:	0.08~0.5GHz
Insertion Loss:	0.4dB max.
VSWR:	1.6 max.
Isolation:	8dB min.
Amplitude Balance:	±0.2dB max.
Phase Balance:	±5° max.
Impedance:	50Ω
Power @SUM Port:	2000W as divider 2000W as combiner

Mechanical

Size:	172*124*26mm 6.772*4.882*1.024in
Connectors:	SC Female, N Female
Mounting:	4-Φ3.8mm through-hole

Outline Drawings


Unit: mm [in]

Tolerance: ±0.5mm [±0.02in]

How To Order

QPD2-80-500-2K-EN

Customization is available upon request.