

# QPD3-16000-18000-20-S

## 3-Way, 16~18GHz

Features:  
 \* Small Size  
 \* Low Insertion Loss

Applications:  
 \* Amplifiers  
 \* Mixers  
 \* Antennas  
 \* Laboratory Test

### Electrical

|                    |  |
|--------------------|--|
| Frequency:         | 16~18GHz                                   |
| Insertion Loss:    | 0.8dB max.                                 |
| Input VSWR:        | 1.4 max.                                   |
| Output VSWR:       | 1.3 max.                                   |
| Isolation:         | 18dB min.                                  |
| Amplitude Balance: | 0.5dB max.                                 |
| Phase Balance:     | ±5°  |
| Impedance:         | 50Ω  |
| Power @SUM Port:   | 20W max. as divider<br>1W max. as combiner |

### Mechanical

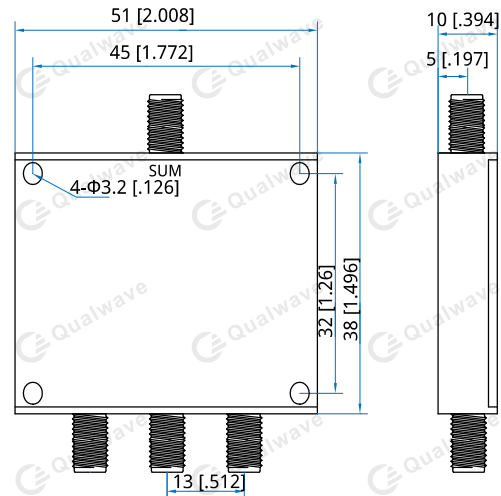
|                      |                                   |
|----------------------|-----------------------------------|
| Size <sup>*1</sup> : | 38*51*10mm<br>1.496*2.008*0.394in |
| Weight:              | 55g                               |
| Connectors:          | SMA Female                        |
| Mounting:            | 4-Φ3.2mm through-hole             |

[1] Exclude connectors.

### Environmental

|                        |           |
|------------------------|-----------|
| Operation Temperature: | -45~+85°C |
|------------------------|-----------|

### Outline Drawings



Unit: mm [in]  
 Tolerance: ±0.5mm [±0.02in]

### How To Order

**QPD3-16000-18000-20-S**

Customization is available upon request.