

QPD4-0-18000-R5-S

4-Way, DC~18GHz

Features:
 * Small Size
 * Low Insertion Loss

Applications:
 * Amplifiers
 * Mixers
 * Antennas
 * Laboratory Test



Electrical

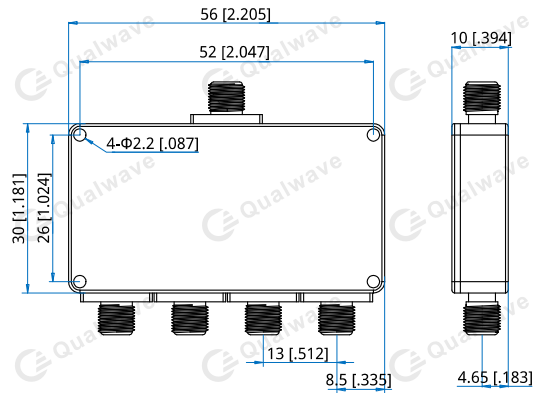
Frequency:	DC~18GHz
VSWR:	1.8 max.
Insertion Loss:	2.0dB max.
Isolation:	5.5dB
Amplitude Balance:	±1dB
Phase Balance:	±8°
Power @SUM Port:	0.5W as divider
Impedance:	50Ω

Mechanical

Size ^{*1} :	56*30*10mm 2.205*1.181*0.394in
Connectors:	SMA Female
Mounting:	4-Φ2.2mm through-hole

[1] Exclude connectors.

Outline Drawings



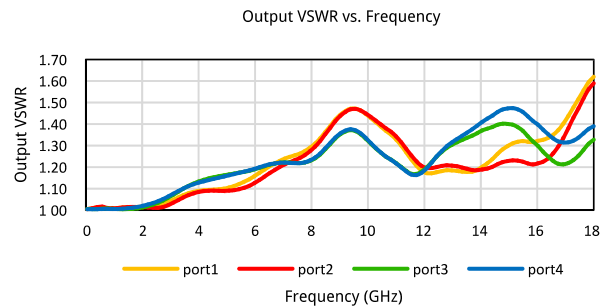
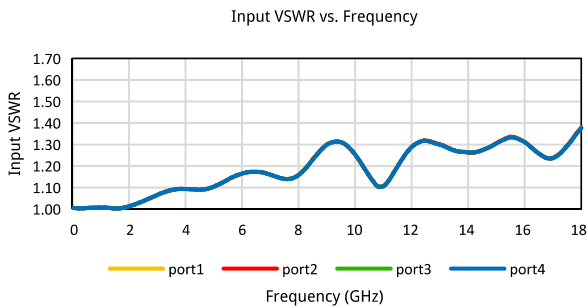
Unit: mm [in]
 Tolerance: ±0.5mm [±0.02in]

How To Order

QPD4-0-18000-R5-S

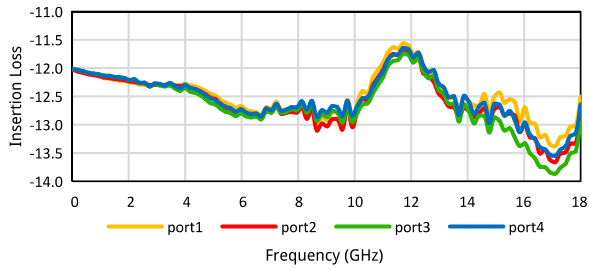
Customization is available upon request.

Typical Performance Curves

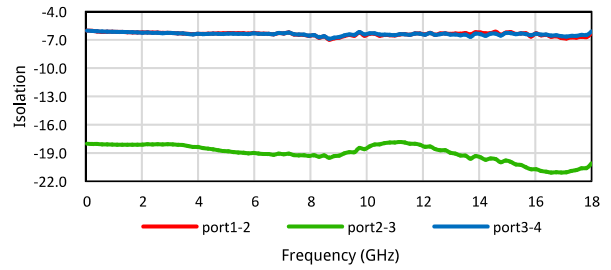


4-Way Power Divider/Combiner

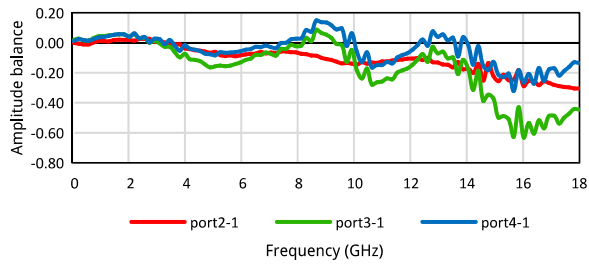
Insertion Loss vs. Frequency



Isolation vs. Frequency



Amplitude balance vs. Frequency



Phase balance vs. Frequency

