

## QPD4-10-500-20-S

### 4-Way, 0.01~0.5GHz

Features:  
 \* Small Size  
 \* Low Insertion Loss

Applications:  
 \* Amplifiers  
 \* Mixers  
 \* Antennas  
 \* Laboratory Test

#### Electrical

Frequency:	0.01~0.5GHz
Insertion Loss:	1.2dB max.
VSWR:	1.4 max.
Isolation:	20dB min.
Amplitude Balance:	0.4dB max.
Phase Balance:	±4° max.
Power @SUM Port:	20W as divider

#### Mechanical

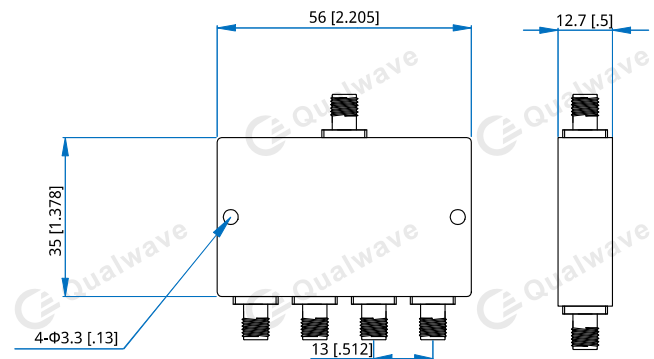
Size <sup>*1</sup> :	56*35*12.7mm 2.205*1.378*0.5in
Connectors:	SMA Female
Mounting:	4-Φ3.3mm through-hole

[1] Exclude connectors.

#### Environmental

Temperature:	-40~+85°C
--------------	-----------

#### Outline Drawings



Unit: mm [in]  
 Tolerance: ±0.3mm [±0.018in]

#### How To Order

**QPD4-10-500-20-S**

Customization is available upon request.