

QPD4-18000-26500-20-K

4-Way, 18~26.5GHz

Features:
 * Small Size
 * Low Insertion Loss

Applications:
 * Amplifiers
 * Mixers
 * Antennas
 * Laboratory Test

Electrical

Frequency:	18~26.5GHz
Insertion Loss:	1.6dB max.
Input VSWR:	1.6 max.
Output VSWR:	1.6 max.
Isolation:	16dB min.
Amplitude Balance:	0.4dB max.
Phase Balance:	±6°
Impedance:	50Ω
Power @SUM Port:	20W max. as divider 1W max. as combiner

Mechanical

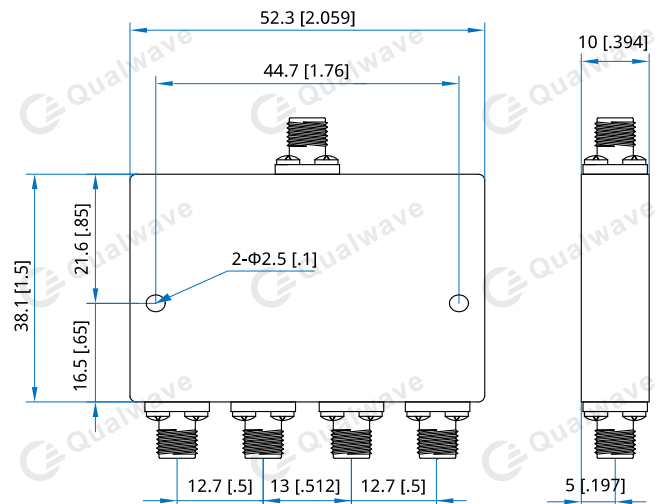
Size ^{*1} :	52.3*38.1*10mm 2.059*1.5*0.394in
Weight:	65g
Connectors:	2.92mm Female (Stainless steel)
Mounting:	2-Φ2.5mm through-hole

[1] Exclude connectors.

Environmental

Operation Temperature:	-45~+85°C
------------------------	-----------

Outline Drawings



Unit: mm [in]
 Tolerance: ±0.5mm [±0.02in]

How To Order

QPD4-18000-26500-20-K

Customization is available upon request.