

## QPD4-2400-5900-50-N

### 4-Way, 2.4~5.9GHz

Features:  
 \* Small Size  
 \* Low Insertion Loss

Applications:  
 \* Amplifiers  
 \* Mixers  
 \* Antennas  
 \* Laboratory Test

#### Electrical

Frequency:	2.4~5.9GHz
Insertion Loss:	0.6dB max.
Input VSWR:	1.3 max.
Output VSWR:	1.2 max.
Isolation:	18dB min.
Amplitude Balance:	0.2dB max.
Phase Balance:	±3°
Impedance:	50Ω
Power @SUM Port:	50W max. as divider 3W max. as combiner

#### Mechanical

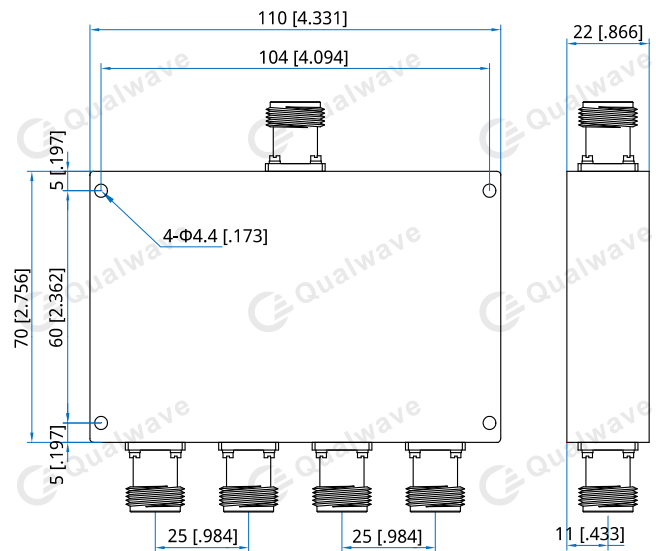
Size <sup>*1</sup> :	70*110*22mm 2.756*4.331*0.866in
Weight:	500g
Connectors:	N Female
Mounting:	4-Φ4.4mm through-hole

[1] Exclude connectors.

#### Environmental

Operation Temperature:	-35~+75°C
------------------------	-----------

#### Outline Drawings



Unit: mm [in]  
 Tolerance: ±0.5mm [±0.02in]

#### How To Order

**QPD4-2400-5900-50-N**

Customization is available upon request.