

QPD4-40-900-R5-N

4-Way, 0.04~0.9GHz

Features:

- * Small Size
- * Low Insertion Loss

Applications:

- * Amplifiers
- * Mixers
- * Antennas
- * Laboratory Test

Electrical

Frequency:	0.04~0.9GHz
Insertion Loss:	1.8dB max.
Input VSWR:	1.4 max.
Output VSWR:	1.4 max.
Isolation:	18dB min.
Amplitude Balance:	0.8dB max.
Phase Balance:	±4°
Impedance:	50Ω
Power @SUM Port:	0.5W max. as divider 0.375W max. as combiner

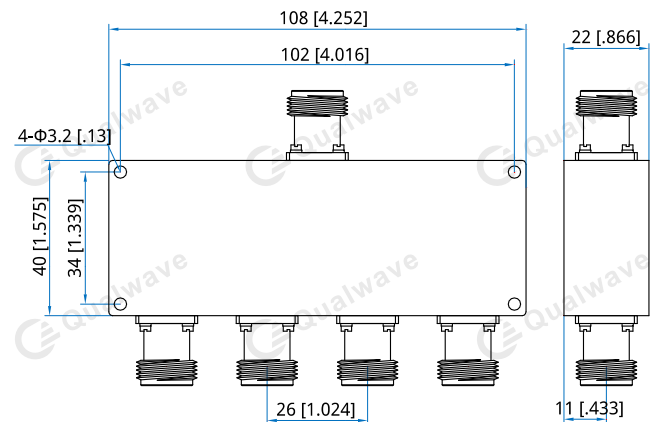
Mechanical

Size ^{*1} :	108*40*22mm 4.252*1.575*0.866in
Weight:	310g
Connectors:	N Female
Mounting:	4-Φ3.2mm through-hole

[1] Exclude connectors.

Environmental

Operation Temperature:	-35~+75°C
------------------------	-----------

Outline Drawings


Unit: mm [in]

Tolerance: ±0.5mm [±0.02in]

How To Order

QPD4-40-900-R5-N

Customization is available upon request.