

## QPD4-5400-6800-20-S

### 4-Way, 5.4~6.8GHz

Features:  
 \* Small Size  
 \* Low Insertion Loss

Applications:  
 \* Amplifiers  
 \* Mixers  
 \* Antennas  
 \* Laboratory Test

#### Electrical

Frequency:	5.4~6.8GHz
Insertion Loss:	0.6dB max.
Input VSWR:	1.3 max.
Output VSWR:	1.25 max.
Isolation:	20dB min.
Amplitude Balance:	±0.4dB
Phase Balance:	±4°
Impedance:	50Ω
Power @SUM Port:	20W max. as divider 1W max. as combiner
DC Current:	0.77A (193mA each) port

#### Mechanical

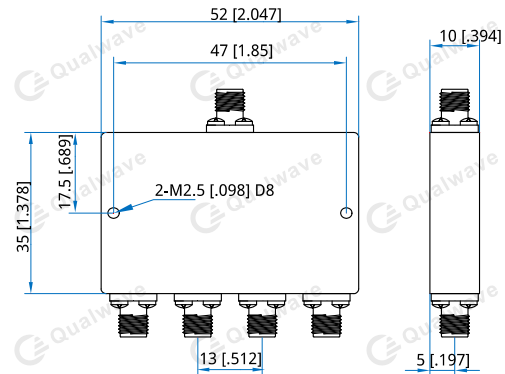
Size <sup>*1</sup> :	35*52*10mm 1.378*2.047*0.394in
Connectors:	SMA Female
Mounting:	2-M2.5mm depth 8

[1] Exclude connectors.

#### Environmental

Operation Temperature:	-40~+70°C
------------------------	-----------

#### Outline Drawings



Unit: mm [in]

Tolerance: ±0.3mm [±0.012in]

#### How To Order

**QPD4-5400-6800-20-S**

Customization is available upon request.