

QPD4-600-8000-30-S

4-Way, 0.6~8GHz

Features:
 * Small Size
 * Low Insertion Loss

Applications:
 * Amplifiers
 * Mixers
 * Antennas
 * Laboratory Test

Electrical

Frequency:	0.6~8GHz
Insertion Loss:	2.2dB max.
Input VSWR:	1.3 max.
Output VSWR:	1.22 max.
Isolation:	20dB min.
Amplitude Balance:	0.3dB max.
Phase Balance:	±4°
Impedance:	50Ω
Power @SUM Port:	30W max. as divider 2W max. as combiner

Mechanical

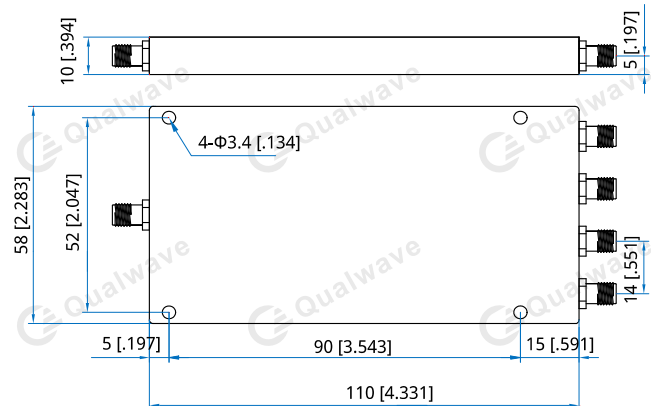
Size ^{*1} :	110*58*10mm 4.331*2.283*0.394in
Weight:	150g
Connectors:	SMA Female
Mounting:	4-Φ3.4mm through-hole

[1] Exclude connectors.

Environmental

Operation Temperature:	-45~+85°C
------------------------	-----------

Outline Drawings



Unit: mm [in]
 Tolerance: ±0.5mm [±0.02in]

How To Order

QPD4-600-8000-30-S

Customization is available upon request.