

QPD4-6000-18000-50-SMS

4-Way, 6~18GHz

Features:
 * Small Size
 * Low Insertion Loss

Applications:
 * Amplifiers
 * Mixers
 * Antennas
 * Laboratory Test

Electrical

Frequency:	6~18GHz
Insertion Loss:	1.5dB max.
VSWR:	1.6 max.
Isolation:	18dB min.
Amplitude Balance:	±0.4dB max.
Phase Balance:	±5° max.
Impedance:	50Ω
Power @SUM Port:	50W max. as divider

Mechanical

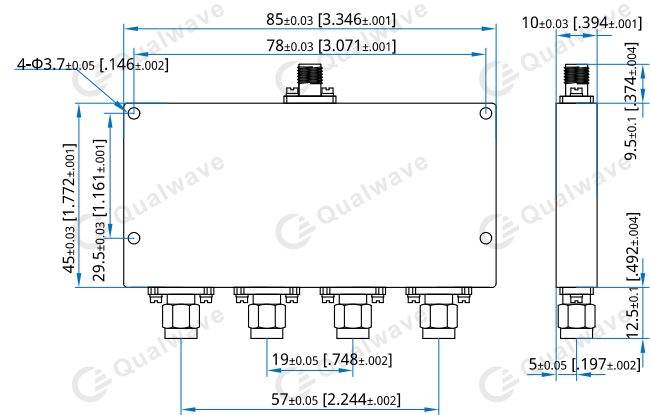
Size ^{*1} :	85*45*10mm 3.346*1.772*0.394in
Connectors:	SMA Female, SMA Male
Mounting:	4-Φ3.7mm through-hole

[1] Exclude connectors.

Environmental

Operation Temperature:	-40~+85°C
------------------------	-----------

Outline Drawings



Unit: mm [in]

Tolerance: ±0.3mm [±0.012in]

How To Order

QPD4-6000-18000-50-SMS

Customization is available upon request.