

## QPD4-6900-7400-30-S

### 4-Way, 6.9~7.4GHz

Features:  
 \* Small Size  
 \* Low Insertion Loss

Applications:  
 \* Amplifiers  
 \* Mixers  
 \* Antennas  
 \* Laboratory Test

#### Electrical

Frequency:	6.9~7.4GHz
Insertion Loss:	0.5dB max.
Input VSWR:	1.25 max.
Output VSWR:	1.25 max.
Isolation:	20dB min.
Amplitude Balance:	0.3dB max.
Phase Balance:	±3°
Impedance:	50Ω
Power @SUM Port:	30W max. as divider 2W max. as combiner

#### Mechanical

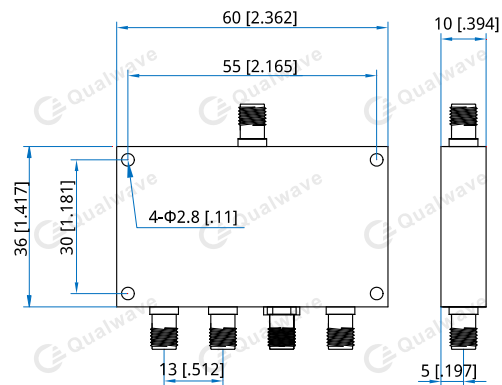
Size <sup>*1</sup> :	36*60*10mm 1.417*2.362*0.394in
Weight:	58g
Connectors:	SMA Female
Mounting:	4-Φ2.8mm through-hole

[1] Exclude connectors.

#### Environmental

Operation Temperature:	-45~+85°C
------------------------	-----------

#### Outline Drawings



Unit: mm [in]  
 Tolerance: ±0.5mm [±0.02in]

#### How To Order

**QPD4-6900-7400-30-S**

Customization is available upon request.