

## QPD4-7000-9000-30-S

### 4-Way, 7~9GHz

Features:  
 \* Small Size  
 \* Low Insertion Loss

Applications:  
 \* Amplifiers  
 \* Mixers  
 \* Antennas  
 \* Laboratory Test

#### Electrical

Frequency:	7~9GHz
Insertion Loss:	0.6dB max.
Input VSWR:	1.3 max.
Output VSWR:	1.2 max.
Isolation:	18dB min.
Amplitude Balance:	±0.2dB max.
Phase Balance:	±3° max.
Impedance:	50Ω
Power @SUM Port:	30W max. as divider 2W max. as combiner

#### Mechanical

Size <sup>*1</sup> :	36*60*10mm 1.417*2.362*0.394in
Connectors <sup>*2</sup> :	SMA Female
Mounting:	4-Φ2.8mm through-hole

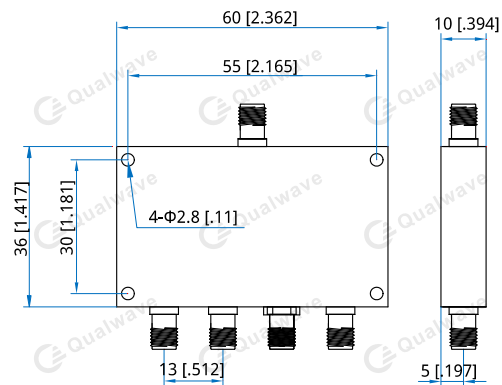
[1] Exclude connectors.

[2] Female connectors can be replaced with male connectors on request.

#### Environmental

Operation Temperature: -45~+85°C

#### Outline Drawings



Unit: mm [in]

Tolerance: ±0.5mm [±0.02in]

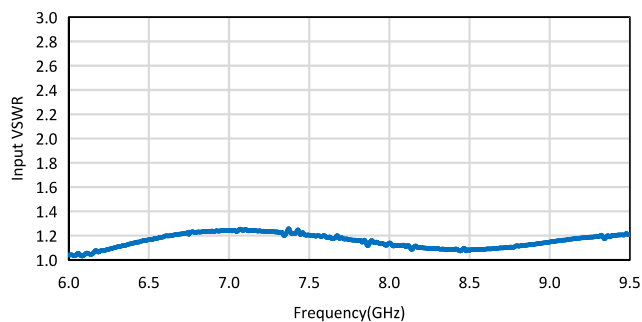
#### How To Order

**QPD4-7000-9000-30-S**

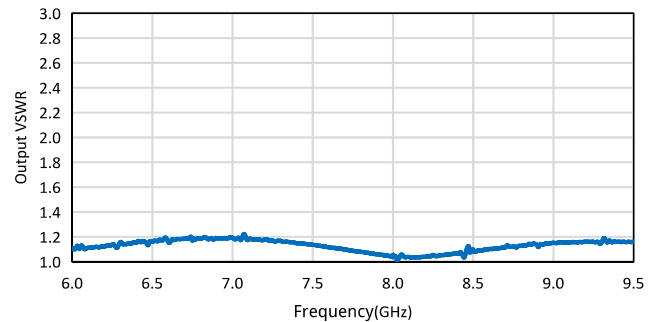
Customization is available upon request.

#### Typical Performance Curves

Input VSWR vs. Frequency

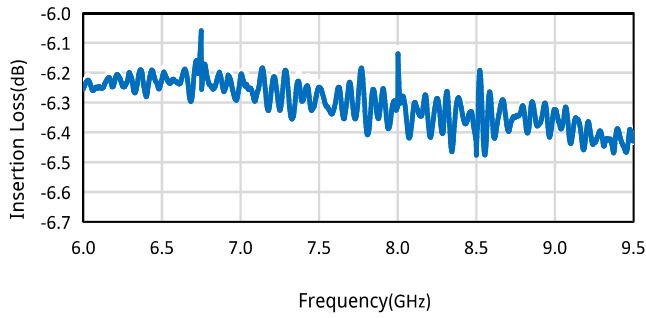


Output VSWR vs. Frequency

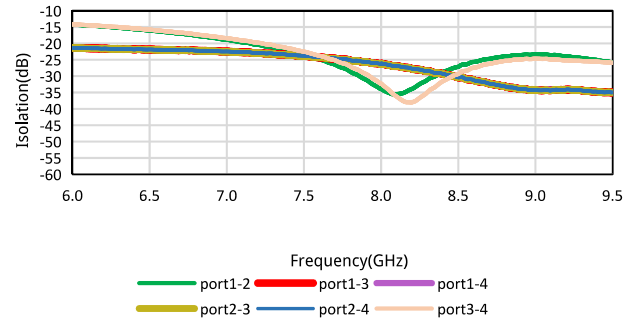


# 4-Way Power Divider/Combiner

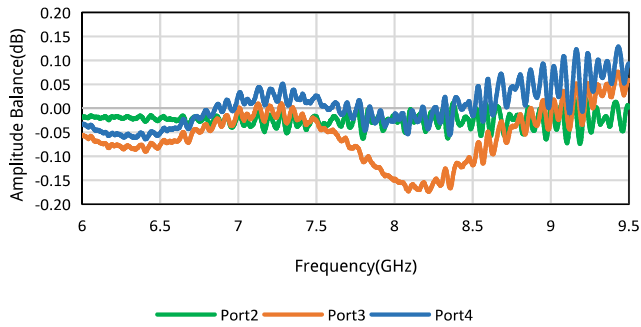
Insertion Loss vs. Frequency



Isolation vs. Frequency



Amplitude Balance vs. Frequency



Phase Balance vs. Frequency

