

## QPD6-0-8000-2-S

### 6-Way, DC~8GHz, 2W

**Features:**

- \* Broadband
- \* Low Insertion Loss
- \* High Power

**Applications:**

- \* Amplifiers
- \* Mixers
- \* Antennas
- \* Laboratory Test

**Electrical**

Frequency:	DC~8GHz
Insertion Loss:	18dB max.
VSWR	1.5 Max.
Isolation:	15dB min.
Amplitude Balance:	±2dB
Impedance:	50Ω
Power @SUM Port:	2W max. as divider

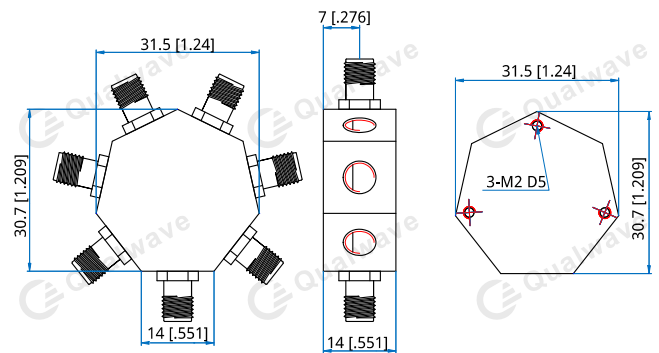
**Mechanical**

Size <sup>*1</sup> :	30.7*31.5*14mm 1.209*1.24*0.551in
Connectors:	SMA Female
Mounting:	3-M2 depth 5

[1] Exclude connectors.

**Environmental**

Operation Temperature:	-35~+75°C
------------------------	-----------

**Outline Drawings**


Unit: mm [in]

Tolerance: ±0.5mm [±0.02in]

**How To Order**

**QPD6-0-8000-2-S**

Customization is available upon request.