

# QHC9-1.6-30-K25-N

0.0016~0.03GHz, 250W

Features:  
 \* Broadband  
 \* High Power  
 \* Low Insertion Loss

Applications:  
 \* Amplifiers  
 \* Transmitter  
 \* Laboratory Test  
 \* Radar

## Electrical

Frequency:	0.0016~0.03GHz
Insertion Loss:	0.2dB max.
VSWR:	1.3 max.
Isolation:	25dB min.
Amplitude Balance:	±0.1dB max.
Phase Balance:	±3° max.
Average Power:	250W
Impedance:	50Ω

## Mechanical

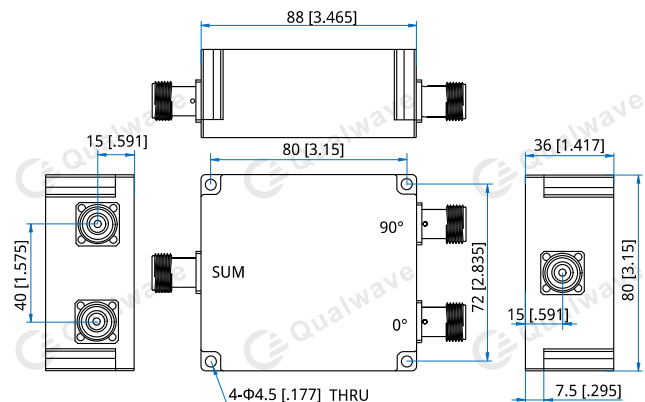
Size <sup>*1</sup> :	88*80*36mm 3.465*3.15*1.417in
RF Connectors:	N Female
Mounting:	4-Φ4.5mm through hole

[1] Exclude connectors.

## Environmental

Temperature:	-40~+70°C
--------------	-----------

## Outline Drawings



Unit: mm [in]  
 Tolerance: ±0.5mm [±0.02in]

## How To Order

**QHC9-1.6-30-K25-N**

Customization is available upon request.