

QHC9-400-500-10-S

0.4~0.5GHz, 10W

Features:
* Broadband
* High Power
* Low Insertion Loss

Applications:
* Amplifiers
* Transmitter
* Laboratory Test
* Radar

Electrical

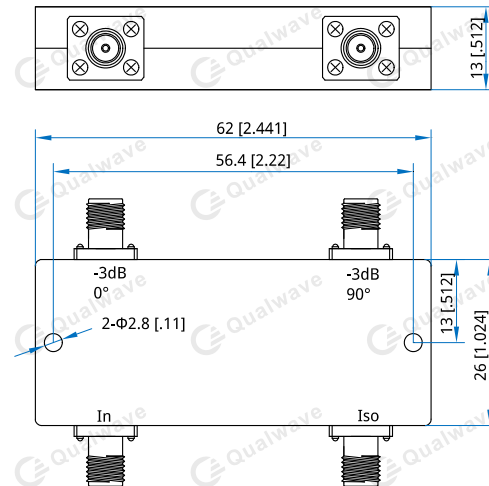
Frequency:	0.4~0.5GHz
Insertion Loss:	0.5dB max.
Isolation:	20dB min.
VSWR:	1.3 max.
Amplitude Balance:	± 0.5 dB
Phase Balance:	$\pm 3^\circ$
Average Power:	10W
Impedance:	50 Ω

Mechanical

Size ^{*1} :	62*26*13mm 2.441*1.024*0.512in
RF Connectors:	SMA Female
Mounting:	2- $\Phi 2.8$ mm through-hole

[1] Exclude connectors.

Outline Drawings



Unit: mm [in]

Tolerance: ± 0.2 mm [± 0.008 in]

How To Order

QHC9-400-500-10-S

Customization is available upon request.