

QCS-FL4G-S-04

SMA Connector, DC~26.5GHz

Features:
* Low VSWR

Applications:
* Wireless
* Radar
* Instruments
* Electronics

Electrical

Frequency:	DC~26.5GHz
VSWR:	1.15 max.
Impedance of Dielectric:	5000MΩ min.
Impedance of Inner Conductor:	3mΩ max.
Impedance of Outer Conductor:	2mΩ max.
Voltage Withstand:	1000V DC
Impedance:	50Ω

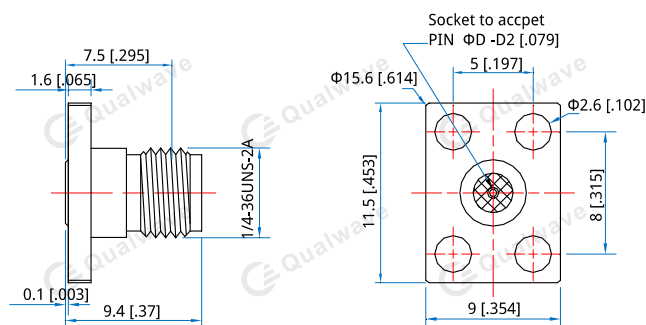
Mechanical

RF Connector:	SMA Female
Mating Life Cycle:	500 cycles
Outer Conductor:	Passivated SUS303 Stainless Steel
Dielectric:	PEI & PTFE
Inner Conductor:	Gold Plated Beryllium Copper
Accept PIN:	ΦDmm, depth 2mm max.

Environmental

Temperature:	-55~+165°C
--------------	------------

Outline Drawings



Size	D				
mm	0.23	0.30	0.38	0.46	0.51
in	0.009	0.012	0.015	0.018	0.02

Unit: mm [in]

Tolerance: ±0.2mm [±0.008in]

How To Order

QCS-FL4G-S23-04 - ΦD: Φ0.23mm

QCS-FL4G-S30-04 - ΦD: Φ0.3mm

QCS-FL4G-S38-04 - ΦD: Φ0.38mm

QCS-FL4G-S46-04 - ΦD: Φ0.46mm

QCS-FL4G-S51-04 - ΦD: Φ0.51mm

Customization is available upon request.