

QCS-FYB-M60

SMA Connector, DC~6GHz

Features:
* Low VSWR

Applications:
* Wireless
* Radar
* Instruments
* Electronics

Electrical

Frequency:	DC~6GHz
VSWR:	1.25 max.
Impedance of Dielectric:	5000MΩ min.
Voltage Withstand:	1000V DC
Impedance:	50Ω

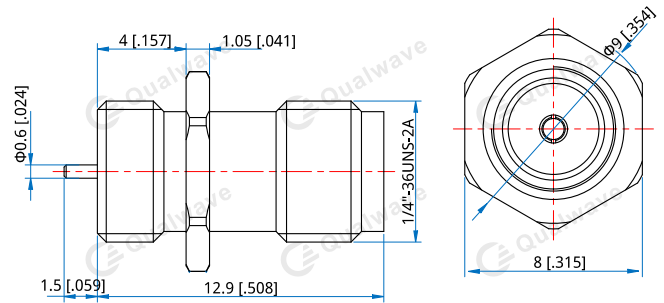
Mechanical

RF Connector:	SMA Female
Outer Conductor:	Ternary alloy plated brass
Dielectric:	PTFE
Inner Conductor:	Gold Plated Beryllium Copper

Environmental

Temperature:	-55~+165°C
--------------	------------

Outline Drawings



Unit: mm [in]

Tolerance: ±0.2mm [±0.008in]

How To Order

QCS-FYB-M60

Customization is available upon request.