

## QBF-14700-15300-40

### High Stopband Rejection

#### Features:

- \* High Stopband Rejection
- \* Small Size

#### Applications:

- \* Telecom
- \* Laboratory Test
- \* Receivers
- \* Instrumentation

#### Electrical

Passband:	14.7~15.3GHz
Passband Insertion Loss:	1.3dB max.
VSWR:	1.5 max.
Stopband Attenuation:	40dBc@DC~14.46GHz min. 40dBc@15.54~18GHz min.

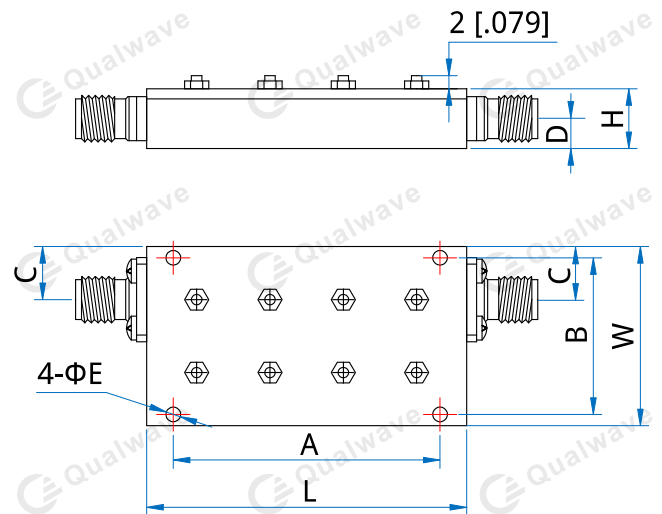
#### Mechanical

RF Connectors:	SMA Female
Mounting:	4* $\Phi$ 2.2mm through-hole

#### Environmental

Operating Temperature:	-40~+70°C
Non-operating Temperature:	-55~+85°C

#### Outline Drawings



Size	L	W	H	A	B	C	D	E
mm	48	27	9	40	23.6	8	4.5	2.2
in	1.89	1.063	0.354	1.575	0.929	0.315	0.177	0.087

Unit: mm [in]

Tolerance:  $\pm 0.2$ mm [ $\pm 0.008$ in]

#### How To Order

**QBF-14700-15300-40**

Customization is available upon request.