

## QBF-15900-16500-40

### High Stopband Rejection

**Features:**

- \* High Stopband Rejection
- \* Small Size

**Applications:**

- \* Telecom
- \* Laboratory Test
- \* Receivers
- \* Instrumentation

**Electrical**

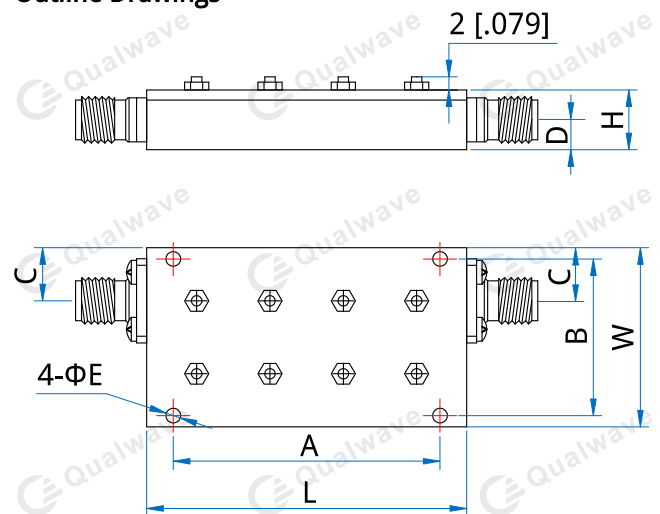
Passband:	15.9~16.5GHz
Passband Insertion Loss:	1.3dB max.
VSWR:	1.5 max.
Stopband Attenuation:	40dBc@DC~15.66GHz min. 40dBc@16.74~18GHz min.

**Mechanical**

RF Connectors:	SMA Female
Mounting:	4* $\Phi$ 2.2mm through-hole

**Environmental**

Operating Temperature:	-40~+70°C
Non-operating Temperature:	-55~+85°C

**Outline Drawings**


Size	L	W	H	A	B	C	D	E
mm	48	27	9	40	23.6	8	4.5	2.2
in	1.89	1.063	0.354	1.575	0.929	0.315	0.177	0.087

Unit: mm [in]

 Tolerance:  $\pm 0.2$ mm [ $\pm 0.008$ in]

**How To Order**
**QBF-15900-16500-40**

Customization is available upon request.