

QBF-2400-2500-35

2.4~2.5GHz, 35dB

Features:

- * High Stopband Rejection
- * Small Size

Applications:

- * Telecom
- * Laboratory Test
- * Receivers
- * Instrumentation

Electrical

Passband:	2.4~2.5GHz
Insertion Loss:	1.5dB max.
VSWR:	1.5 max.
Stopband Attenuation:	35dB @DC~2.2GHz min. 35dB @2.7~5GHz min.

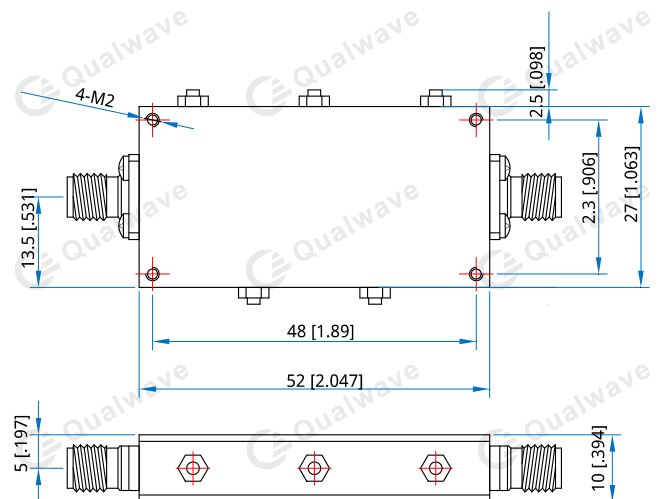
Mechanical

Size ^{*1} :	52*27*10mm 2.047*1.063*0.394in
Connectors:	SMA Female
Mounting:	4-M2 through-hole

[1] Exclude connectors.

Environmental

Operating Temperature:	-40~+70°C
Non-operating Temperature:	-55~+85°C

Outline Drawings


Unit: mm [in]

Tolerance: ±0.2mm [±0.008in]

How To Order

QBF-2400-2500-35

Customization is available upon request.