

QBF-38250-38750-30

38.25~38.75GHz, 30dBc

Features:

- * High Stopband Rejection
- * Small Size

Applications:

- * Telecom
- * Laboratory Test
- * Receivers
- * Instrumentation

Electrical

Passband:	38.25~38.75GHz
Insertion Loss:	3.49dB max.
VSWR:	1.5 max.
Stopband Attenuation:	30dBc@37.95GHz min. 30dBc@39.05GHz min.
Average Power:	1W

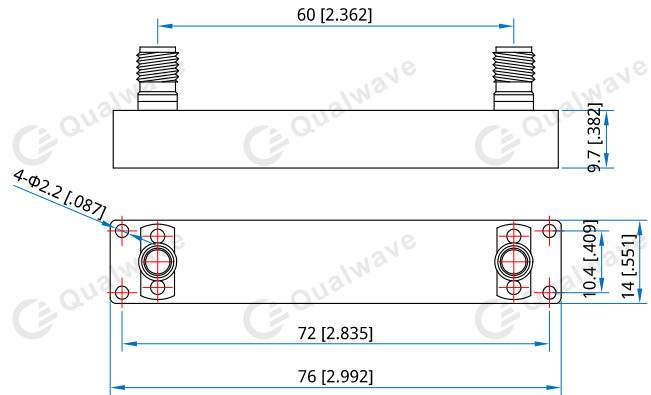
Mechanical

Size ^{*1} :	76*14*9.7mm 2.60*1.90*0.70in
Connectors:	2.92mm Female
Mounting:	4-Φ2.2mm through-hole

[1] Exclude connectors.

Environmental

Operating Temperature:	-40~+70°C
Non-operating Temperature:	-55~+85°C

Outline Drawings


Unit: mm [in]

Tolerance: ±0.2mm [±0.008in]

How To Order

QBF-38250-38750-30

Customization is available upon request.