

QBF-7000-7400-40

High Stopband Rejection

Features:

- * High Stopband Rejection
- * Small Size

Applications:

- * Telecom
- * Laboratory Test
- * Receivers
- * Instrumentation

Electrical

Passband:	7~7.4GHz
Passband Insertion Loss:	1.2dB max.
VSWR:	1.5 max.
Stopband Attenuation:	40dBc@DC~6.76GHz min. 40dBc@7.64~10GHz min.

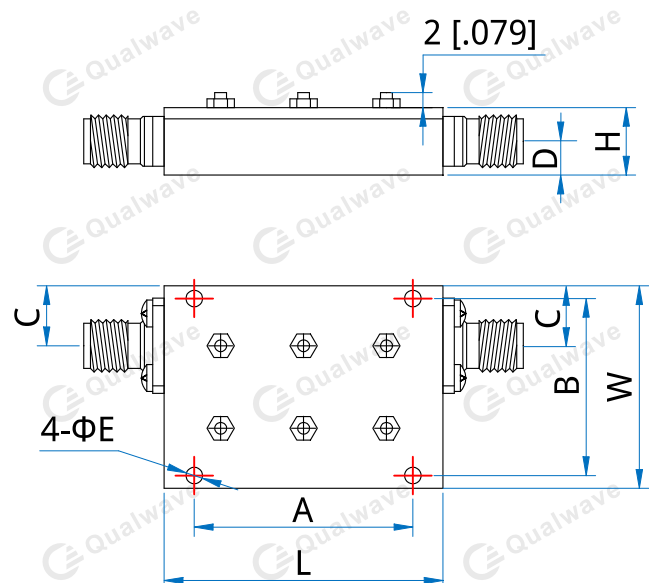
Mechanical

RF Connectors:	SMA Female
Mounting:	4* Φ 2.2mm through-hole

Environmental

Operating Temperature:	-40~+70°C
Non-operating Temperature:	-55~+85°C

Outline Drawings



Size	L	W	H	A	B	C	D	E
mm	60	32	11	56	28	9	5.5	2.2
in	2.362	1.26	0.433	2.205	1.102	0.354	0.217	0.087

Unit: mm [in]

Tolerance: ± 0.2 mm [± 0.008 in]

How To Order

QBF-7000-7400-40

Customization is available upon request.