

QBT-18000-40000

18~40GHz

Features:
 * Broadband
 * Small Size

Applications:
 * Telecom
 * Satcom
 * Laboratory Test
 * Instrumentation

Electrical

Frequency:	18~40GHz
Insertion Loss:	2dB max.
VSWR:	2 max.
Voltage:	+10V DC
Current:	0.3A

Mechanical

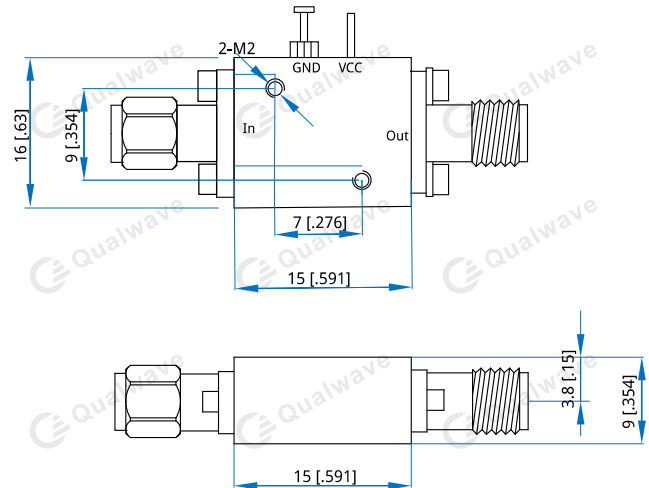
Size*1:	15*16*9mm 0.591*0.63*0.354in
RF In Connector:	2.92mm male
RF Out Connector:	2.92mm female
Power Supply & Control Interface:	Solder Pin & Terminal Post
RF Input Connector:	DC & RF
Mounting:	2-M2 through-hole

[1] Exclude connectors.

Environmental

Operating Temperature:	-40~+70°C
Non-operating Temperature:	-55~+85°C

Outline Drawings



Unit: mm [in]
 Tolerance: ±0.2mm [±0.008in]

How To Order

QBT-18000-40000

Customization is available upon request.