

# QC2-FL2G-A220-1

## 2.4mm Female, 2-Hole Flange Mount

Features:  
\* Low VSWR

Applications:  
\* Wireless  
\* Radar  
\* Instruments  
\* Electronics

### Electrical

Frequency:	DC-50GHz
VSWR:	1.35 max.
Impedance of Dielectric:	5000MΩ min.
Voltage Withstand:	500V DC min
Impedance:	50Ω

### Mechanical

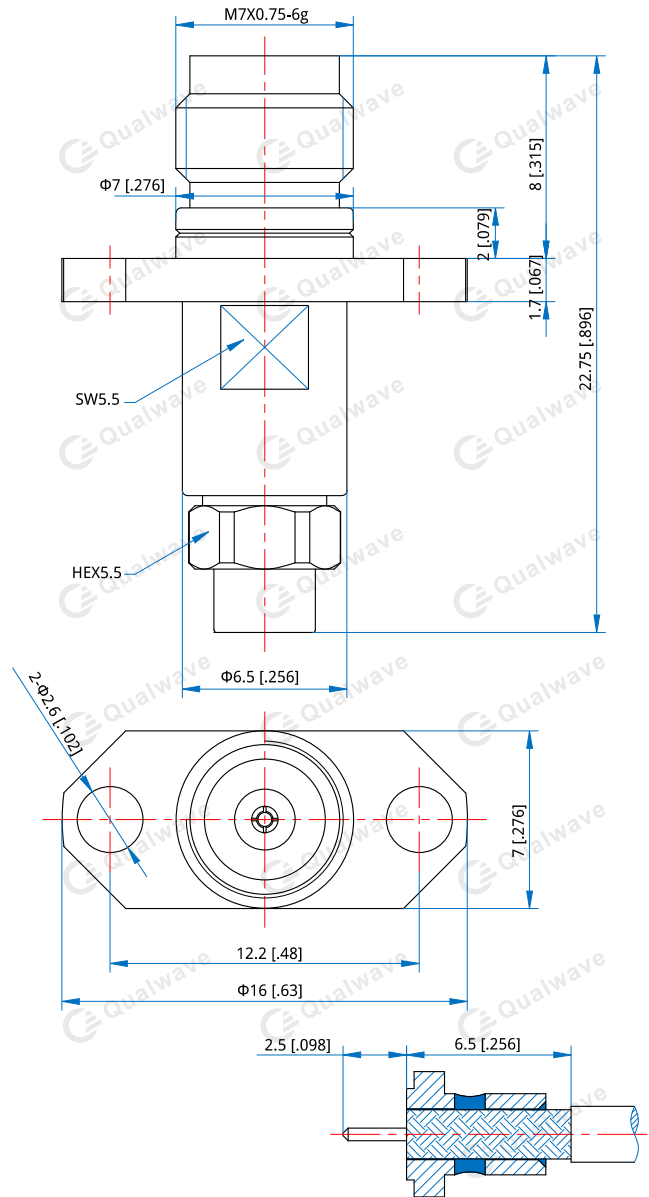
RF Connector:	2.4mm Female
Mating Cable:	QA220
Outer Conductor:	Passivated stainless steel
Dielectric:	PEI
Inner Conductor:	Gold plated beryllium copper

### How To Order

**QC2-FL2G-A220-1**

Customization is available upon request.

### Outline Drawings



Unit: mm [in]  
Tolerance: ±0.2mm [±0.008in]