

QC2-MG-A220-5

2.4mm Male

Features:
* Low VSWR

Applications:
* Wireless
* Radar
* Instruments
* Electronics

Electrical

Frequency: DC-50GHz
VSWR: 1.35 max.
Impedance: 50Ω

Mechanical

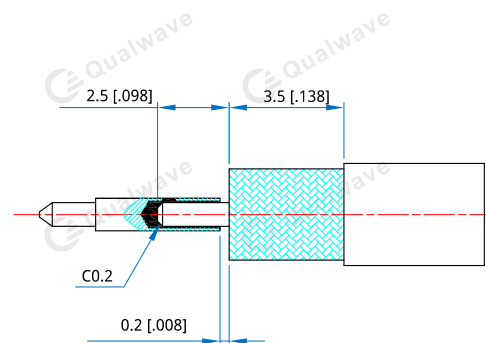
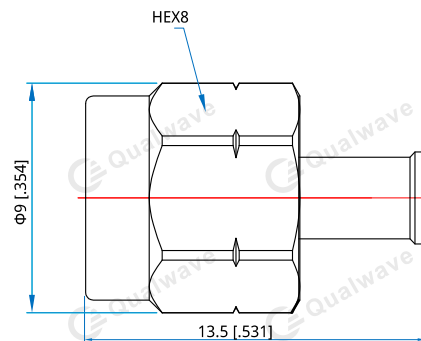
RF Connector: 2.4mm Male
Mating Cable: QA220
Outer Conductor: Stainless Steel

How To Order

QC2-MG-A220-5

Customization is available upon request.

Outline Drawings



Unit: mm [in]

Tolerance: ±0.2mm [±0.008in]