

QC3-FG-A360-1

3.5mm Female

Features:
* Low VSWR

Applications:
* Wireless
* Radar
* Instruments
* Electronics

Electrical

| | |
|--------------------------|---------------|
| Frequency: | DC~26.5GHz |
| VSWR: | 1.25 max. |
| Impedance of Dielectric: | 5000MΩ min. |
| Voltage Withstand: | 1000V DC min. |
| Impedance: | 50Ω |

Mechanical

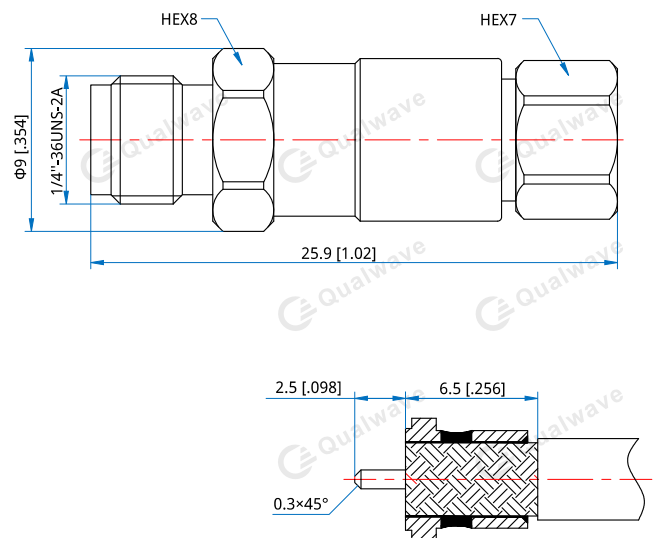
| | |
|------------------|----------------------|
| RF Connector: | 3.5mm Female |
| Mating Cable: | QA360 |
| Outer Conductor: | 303F stainless steel |

How To Order

QC3-FG-A360-1

Customization is available upon request.

Outline Drawings



Unit: mm [in]
Tolerance: $\pm 0.2\text{mm}$ [$\pm 0.008\text{in}$]