

QCA-FHB-047-1

SSMA Female, Bulk Head

Features:
* Low VSWR

Applications:
* Wireless
* Radar
* Instruments
* Electronics

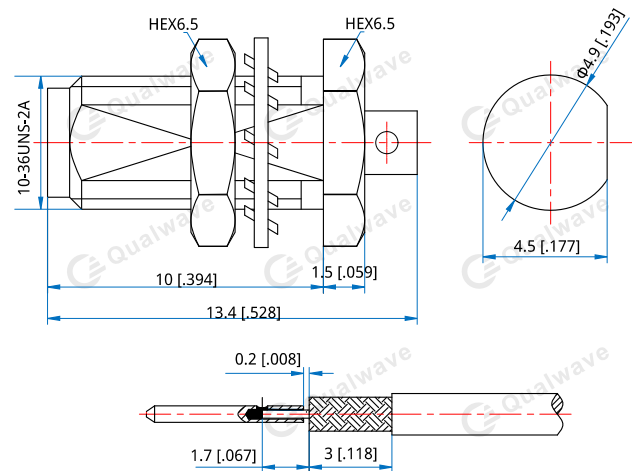
Electrical

Frequency:	DC~26.5GHz
VSWR:	1.25 max.
Impedance of Dielectric:	5000MΩ min.
Voltage Withstand:	500V DC

Mechanical

RF Connector:	SSMA female
Mating Cable:	QD047
Outer Conductor:	Gold plated brass

Outline Drawings



Unit: mm [in]

Tolerance: ±0.2mm [±0.008in]

How To Order

QCA-FHB-047-1

Customization is available upon request.