

QCA-FL2B-047-1

SSMA Female, 2-Hole Flange Mount

Features:
* Low VSWR

Applications:
* Wireless
* Radar
* Instruments
* Electronics

Electrical

Frequency:	DC~26.5GHz
VSWR:	1.35 max.
Impedance of Dielectric:	5000MΩ min.
Voltage Withstand:	500V DC min
Impedance::	50Ω

Mechanical

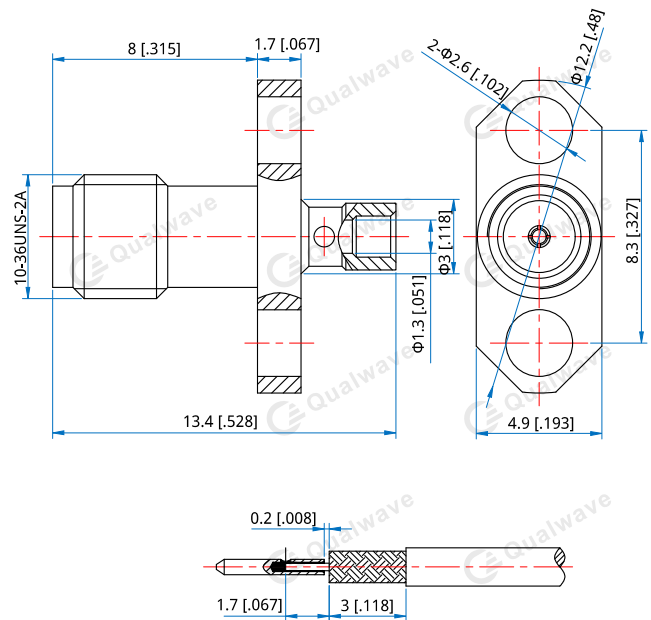
RF Connector:	SSMA Female
Mating Cable:	QA150, QH160, QD047, QE047
Outer Conductor:	Beryllium copper

How To Order

QCA-FL2B-047-1

Customization is available upon request.

Outline Drawings



Unit: mm [in]
Tolerance: ±0.2mm [±0.008in]