

# QCA-FL2G-047-1

## SSMA Female

Features:  
\* Low VSWR

Applications:  
\* Wireless  
\* Radar  
\* Instruments  
\* Electronics

### Electrical

Frequency:	DC~26.5GHz
Impedance of Dielectric:	5000MΩ min.
Voltage Withstand:	500V DC
Impedance:	50Ω

### Mechanical

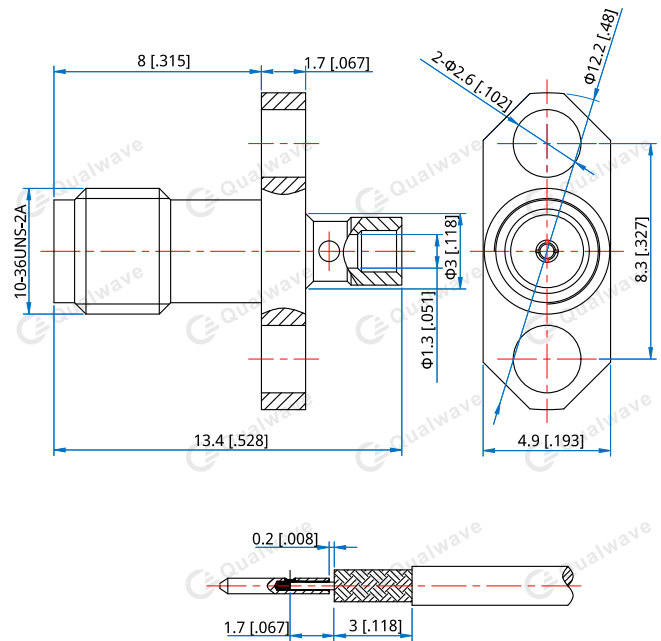
RF Connector:	SSMA female
Mating Cable:	QD047
Material:	Beryllium copper

### How To Order

**QCA-FL2G-047-1**

Customization is available upon request.

### Outline Drawings



Unit: mm [in]  
Tolerance:  $\pm 0.1$ mm [ $\pm 0.004$ in]