

## QCA-MG-A360-1

### SSMA Male

Features:  
\* Low VSWR

Applications:  
\* Wireless  
\* Radar  
\* Instruments  
\* Electronics

#### Electrical

Frequency:	DC~26.5GHz
VSWR:	1.25 max.
Impedance of Dielectric:	5000MΩ min.
Voltage Withstand:	750V DC min.
Impedance:	50Ω

#### Mechanical

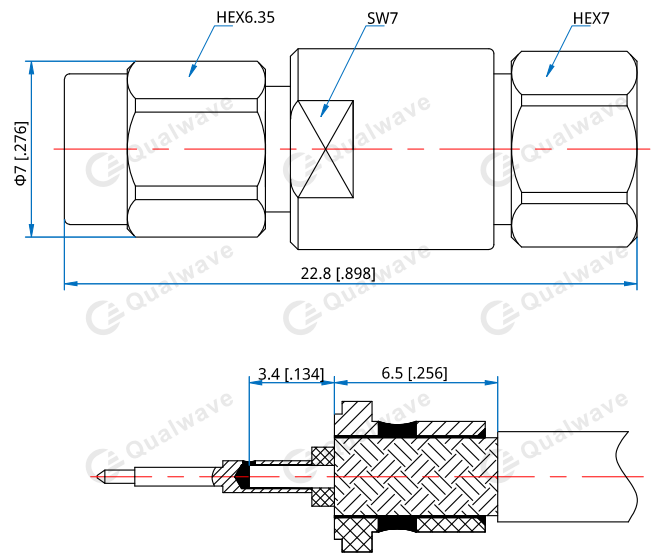
RF Connector:	SSMA Male
Mating Cable:	QA360
Outer Conductor:	303F stainless steel

#### How To Order

**QCA-MG-A360-1**

Customization is available upon request.

#### Outline Drawings



Unit: mm [in]

Tolerance: ±0.2mm [±0.008in]