

## QCB-MB-086-1

### BNC Male

Features:  
\* Low VSWR

Applications:  
\* Wireless  
\* Radar  
\* Instruments  
\* Electronics



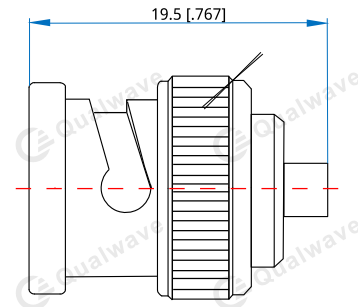
#### Electrical

Frequency:	DC~4GHz
VSWR:	1.3 max.
Impedance of Dielectric:	5000MΩ min.
Voltage Withstand:	500V DC
Impedance:	50Ω

#### Mechanical

RF Connector:	BNC male
Mating Life Cycle:	500 cycles
Outer Conductor:	Ternary alloy plated brass
Dielectric:	PTFE
Inner Conductor:	Gold plated brass

#### Outline Drawings



Unit: mm [in]  
Tolerance: ±0.2mm [±0.008in]

#### How To Order

**QCB-MB-086-1**

Customization is available upon request.