

QCD-MRB-086-1

SMB Male Right Angle

Features:
* Low VSWR

Applications:
* Wireless
* Radar
* Instruments
* Electronics

Electrical

Frequency:	DC~4GHz
VSWR:	1.3 max.
Impedance of Dielectric:	5000MΩ min.
Voltage Withstand:	500V DC
Impedance:	50Ω

Mechanical

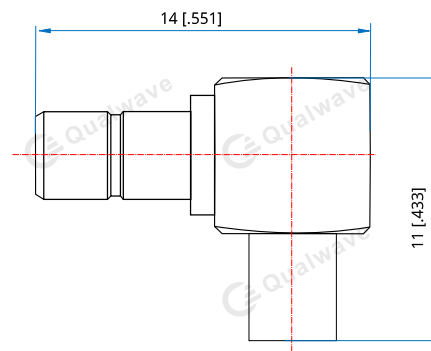
RF Connector:	SMB Male Right Angle
Mating Cable:	QH280, QD086, QE086, RG316, RG316D
Outer Conductor:	Gold plated brass
Dielectric:	PTFE
Innerr Conductor:	Gold plated brass

How To Order

QCD-MRB-086-1

Customization is available upon request.

Outline Drawings



Unit: mm [in]

Tolerance: ±0.2mm [±0.008in]