

QCG-FB-A220-1

SSMP Female

Features:
* Low VSWR

Applications:
* Wireless
* Radar
* Instruments
* Electronics

Electrical

Frequency:	DC~67GHz
VSWR:	1.5 max.
Impedance of Dielectric:	5000MΩ min.
Voltage Withstand:	500V DC min
Impedance:	50Ω

Mechanical

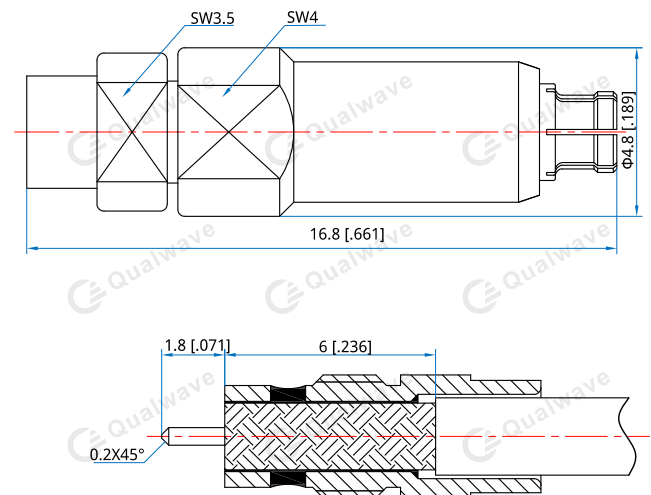
RF Connector:	SSMP Female
Mating Life Cycle:	100~500 cycles
Mating Cable:	QA220
Outer Conductor:	Beryllium copper

How To Order

QCG-FB-A220-1

Customization is available upon request.

Outline Drawings



Unit: mm [in]

Tolerance: ±0.2mm [±0.008in]