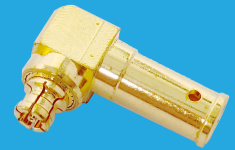


# QCG-FRB-086-2

## SSMP Female Right Angle

Features:  
\* Low VSWR

Applications:  
\* Wireless  
\* Radar  
\* Instruments  
\* Electronics



### Electrical

Frequency:	DC-50GHz
VSWR:	1.5 max.
Impedance of Dielectric:	5000MΩ min.
Voltage Withstand:	500V DC min
Impedance:	50Ω

### Mechanical

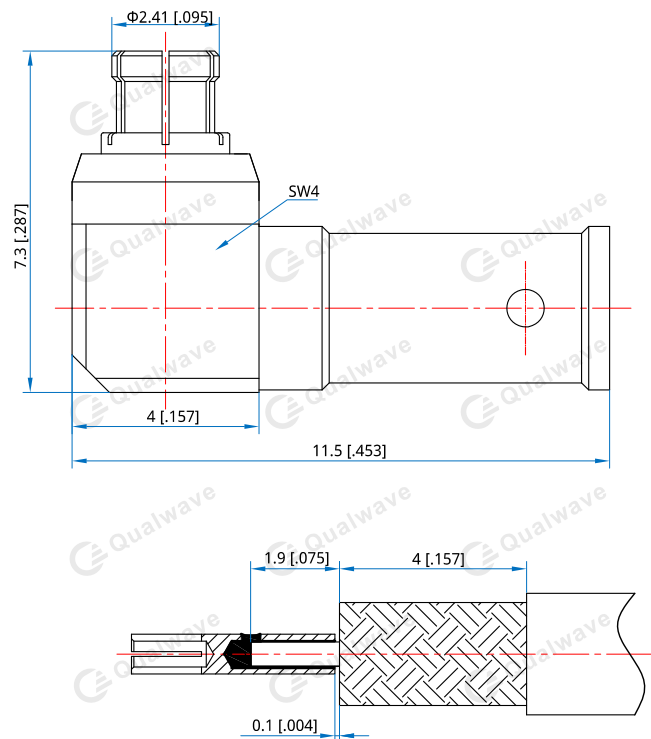
RF Connector:	SSMP Female Right Angle
Mating Cable:	QH280, QD086, QE086, RG316, RG316D
Outer Conductor:	Beryllium copper

### How To Order

**QCG-FRB-086-2**

Customization is available upon request.

### Outline Drawings



Unit: mm [in]

Tolerance: ±0.2mm [±0.008in]