

QCG-MB-047-1

SSMP Male

Features:
* Low VSWR

Applications:
* Wireless
* Radar
* Instruments
* Electronics

Electrical

Frequency:	DC~40GHz
VSWR:	1.4 max.
Impedance of Dielectric:	5000MΩ min.
Voltage Withstand:	500V DC min
Impedance:	50Ω

Mechanical

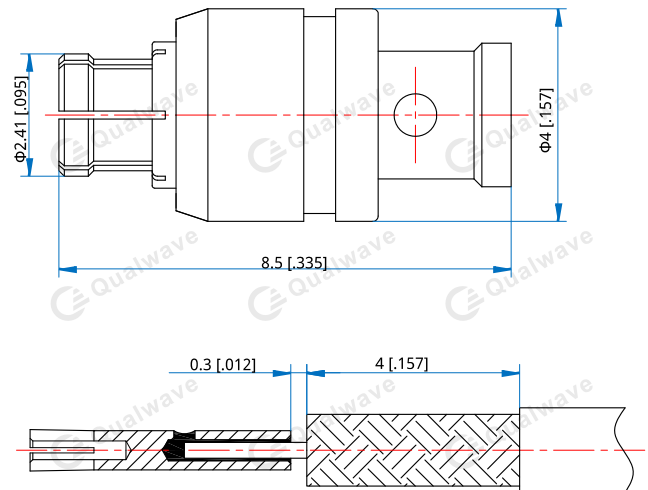
RF Connector:	SSMP Male
Mating Cable:	QA150, QH160, QD047, QE047
Outer Conductor:	Beryllium copper

How To Order

QCG-MB-047-1

Customization is available upon request.

Outline Drawings



Unit: mm [in]

Tolerance: ±0.2mm [±0.008in]