

QCG-MRB-047-1

SSMP Male Right Angle

Features:
* Low VSWR

Applications:
* Wireless
* Radar
* Instruments
* Electronics

Electrical

| | |
|--------------------------|-------------|
| Frequency: | DC~18GHz |
| VSWR: | 1.3 max. |
| Impedance of Dielectric: | 5000MΩ min. |
| Voltage Withstand: | 500V DC min |
| Impedance: | 50Ω |

Mechanical

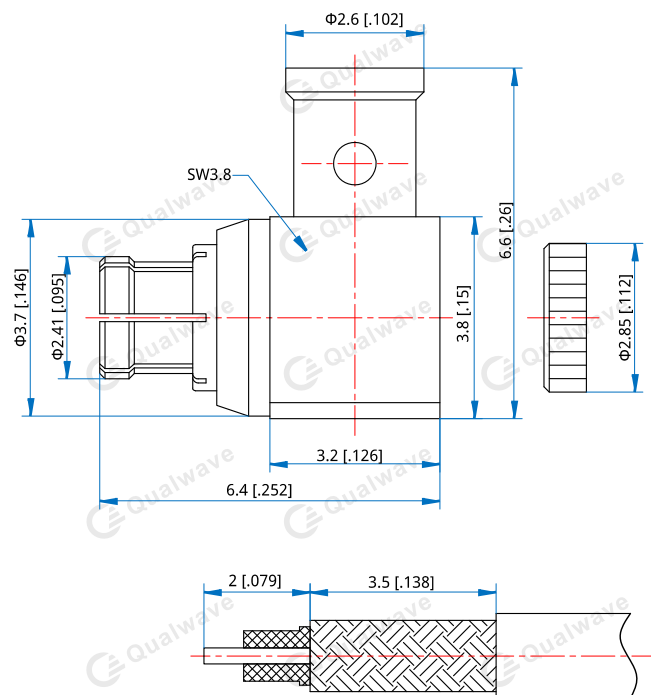
| | |
|------------------|----------------------------|
| RF Connector: | SSMP Male Right Angle |
| Mating Cable: | QA150, QH160, QD047, QE047 |
| Outer Conductor: | Beryllium copper |

How To Order

QCG-MRB-047-1

Customization is available upon request.

Outline Drawings



Unit: mm [in]

Tolerance: ±0.2mm [±0.008in]